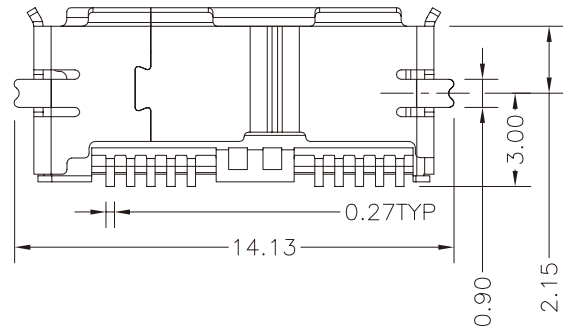
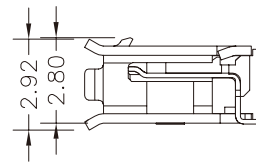
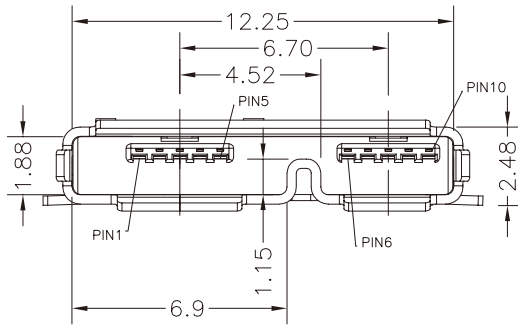


P.B.C LAYOUT  
TOP VIEW ±0.05



**MATERIALS**

HOUSING: HI-TEMP. PLASTIC (UL 94V-0)  
SHELL: STAINLESS STEEL, TIN PLATING  
TERMINAL: COPPER ALLOY, GOLD PLATED

**SPECIFICATION**

CURRENT RATING: 0.5 AMP MAX (ONLY PIN 1, 5), OTHER 1 AMP MAX  
DIELECTRIC WITHSTANDING: 100V AC FOR ONE MINUTE  
CONTACT RESISTANCE: 30m OHMS MAX  
INSULATION RESISTANCE: 100M OHMS MIN AT DC 500V  
OPERATION TEMPERATURE: -25°C~+105°C

**RoHS Compliant**

TOLERANCES ARE

**MORETHANALL**  
PCB CONNECTORS  
Cable ASSEMBLIES

DRAWING BY CY

CHECKED BY GENIUS

UNIT / mm

SCALE 1:1

DATE

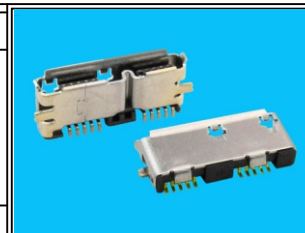
SIZE A4

PJECTION

X, ±  
.X ±  
.XX ±  
.XXX ±  
ANG ±

煜倫股份有限公司

www.morethanall.com



**ORDER INFORMATION**

MISB-SWE-10AB-LF  
SERIES | LEADFREE  
10 PIN AB TYPE  
EAR  
90°SMT  
FEMALE

DESCRIPTION: MICRO USB AB TYPE, SMT, PCB MOUNT, METAL SHIELD, FEMAL