

RECOMMENDED PCB LAYOUT

GENERAL TOLERANCE ± 0.05

T=1.6 ± 0.15

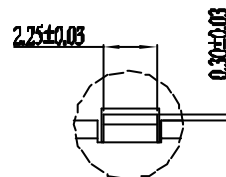
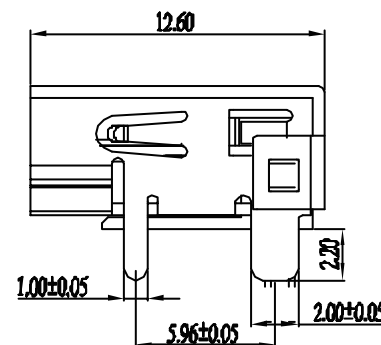
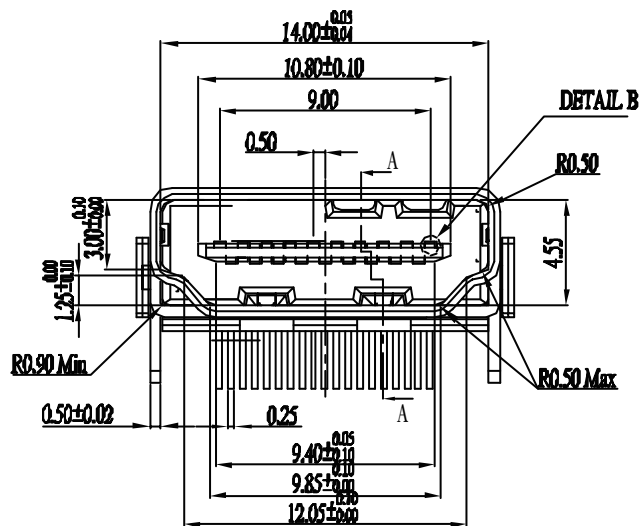
NOTES:

1: Material:

- 1.1 Housing: Thermoplastic UL94V-0 color: black.
- 1.2 Contact: Phosphor bronze T=0.25mm.
- 1.3 Shell: Copper alloy T=0.50mm.

2: Specification:

- 2.1 Current rating: 0.5 A Max.
- 2.2 Voltage rating: 40 V AC(rms) Max.
- 2.3 Contact resistance: 50 milliohms Max.
- 2.4 Dielectric withstanding
voltage: 100 V(ac) for 1 min.
- 2.5 Insulation resistance: 1000 MW Min.
- 2.6 Operation temperature range: -25°C~85°C



DETAIL B
SCALE 5:1

RoHS Compliant

TOLERANCES ARE

MORETHANALL
PCB CONNECTORS
Cable ASSEMBLIES

煜倫股份有限公司

www.morethanall.com

DRAWING BY CY

CHECKED BY GENIUS

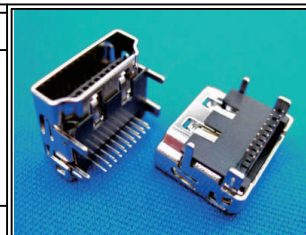
UNIT / mm SCALE 1:1

DATE

SIZE A4

PJECTION

X, ±
.X ±
.XX ±
.XXX ±
ANG ±



ORDER INFORMATION

HDMI-SR2-19-LF
SERIES | LEADFREE
19WAY
DIP 90°
FEMALE

DESCRIPTION: