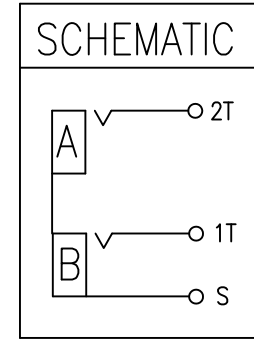
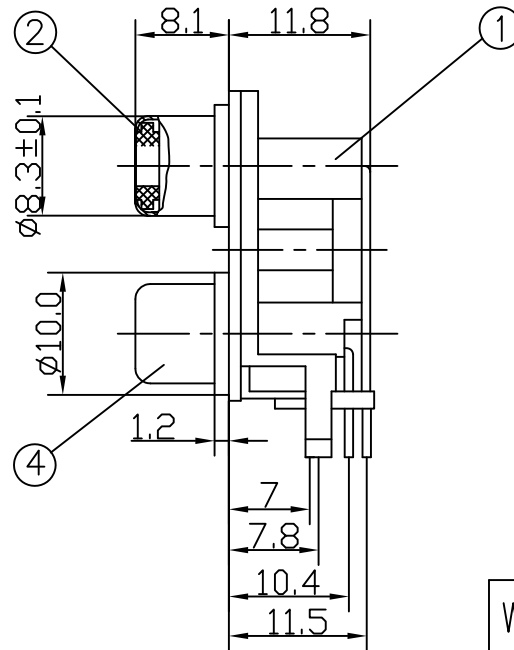


T:1.6 Dimensions of PC board holes  
Tolerance : ±0.05(Printed-top view)



WASHER	A	B
COLOR	WHITE	RED

6	TERMINAL	1	C2680	t=0.4	Cu/Sn	PLATED
5	TERMINAL	1	C2680	t=0.4	Cu/Sn	PLATED
4	OUTER CONTACT	1	C2680	t=0.35	Cu/Sn	PLATED
3	COVER	1	ABS			UL-94HB(BLACK)
2	WASHER	2	PBT 4815			UL-94V0
1	HOUSING	1	PBT 4815			UL-94V0(BLACK)
LTR	PART NAME	QTY	MATERIAL			REMARK

UNLESS OTHERWISE SPECIFIED, TOLERANCE ON DECIMAL: ±0.3

RoHS Compliant

TOLERANCES ARE

**MORETHANALL**  
PCB CONNECTORS  
Cable ASSEMBLIES

DRAWING BY CY

CHECKED BY GENIUS

UNIT / mm SCALE 1 : 1

DATE

SIZE A4

X.±  
.X±  
.XX±  
.XXX±  
ANG±

P PROJECTION



ORDER INFORMATION

RCAB1-JR70E1xx-03-LF

SERIES LEADFREE  
03 WAY

JACK WR: A:WHITE / B:RED  
DIP 90° WY: A:WHITE / B:YELLOW  
7.0mm EAR

煜倫股份有限公司

www.morethanall.com

DESCRIPTION: PIN JACK