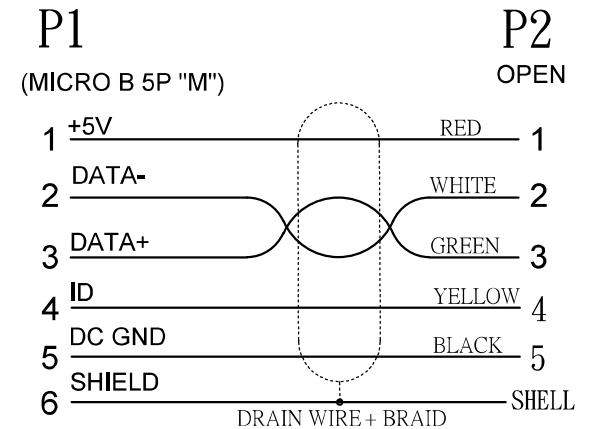


10	CARTON	1	52.5*33*23cm	628.5
9	WATERPROOF	1	650*950*0.04mm	62.85
8	TIES	1	150mm COLOR:BLACK	
7	OUTSIEE MOLDED	2	PVC 50P COLOR:GRAY	
6	INTERNAL MOLDED	1	PE	
5	TUBE	1	φ4.0*10mm COLOR:BLACK	
4	TUBE	1	φ1.0*30mm COLOR:BLACK	
3	TUBE	1	φ1.0*8mm COLOR:BLACK	
2	CONNECTOR	1	plug: Micro USB 5P B type plug plated gold cover nickel	
1	CABLE	1	Cable: (5C+1): Grey PVC Jacket 3.7dia. White/Green:0.85dia & twisted (copper-wire:0.12/7 brass plated tin & stranded and cover HDPE). Black/Yellow/Red: 0.65dia(copper-wire:0.12/7 brass plated tin & stranded and cover HDPE). Drain wire(bare copper wire:0.12/4)+AEB(0.12/4) UL2725 (VER:2.0)	33.7
NO	P/NAME	Q'TY	DESCRIPTION	WEIGHT UNIT: g

PIN ASSIGNMENT:



RoHS Compliant

TOLERANCES ARE

MORETHANALL
PCB CONNECTORS
Cable ASSEMBLIES

DRAWING BY CY

X ± 0.30

CHECKED BY GENIUS

.X ± 0.25

UNIT / mm

SCALE 1 : 1

.XX ± 0.15

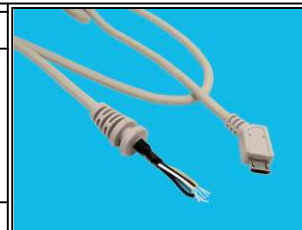
.XXX ± 0.05

ANG ±

DATE

SIZE A4

PJECTION



ORDER INFORMATION

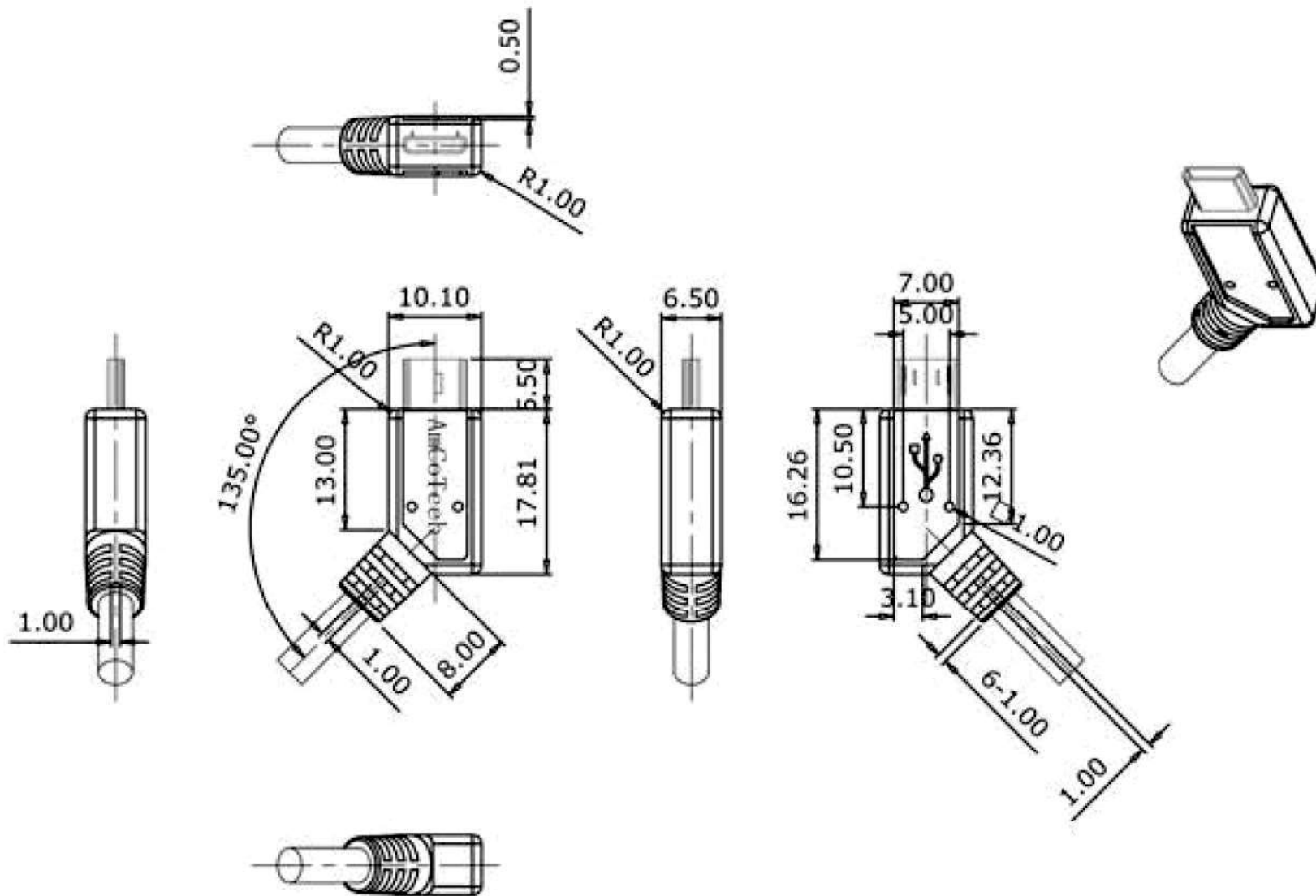
MIBX1-5BA0028GESR-M4M-LF

SERIES | LEADFREE
5 PIN B TYPE | 400CM
ANGLE | MALE
SR
28 AWG | GRAY

DESCRIPTION: MICRO USB BM TO OPEN(SR)

煜倫股份有限公司

www.morethanall.com



RoHS Compliant

TOLERANCES ARE

MORETHANALL
PCB CONNECTORS
Cable ASSEMBLIES

DRAWING BY CY

X.±

CHECKED BY GENIUS

.X±

UNIT / mm

SCALE 1 : 1

.XX±

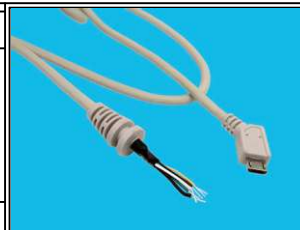
DATE

.XXX±

ANG±

SIZE A4

PPOJECTION



ORDER INFORMATION

MIBX1-5BA0028GESR-M4M-LF

SERIES

5 PIN B TYPE
ANGLE

SR

GRAY
28 AWG

400CM

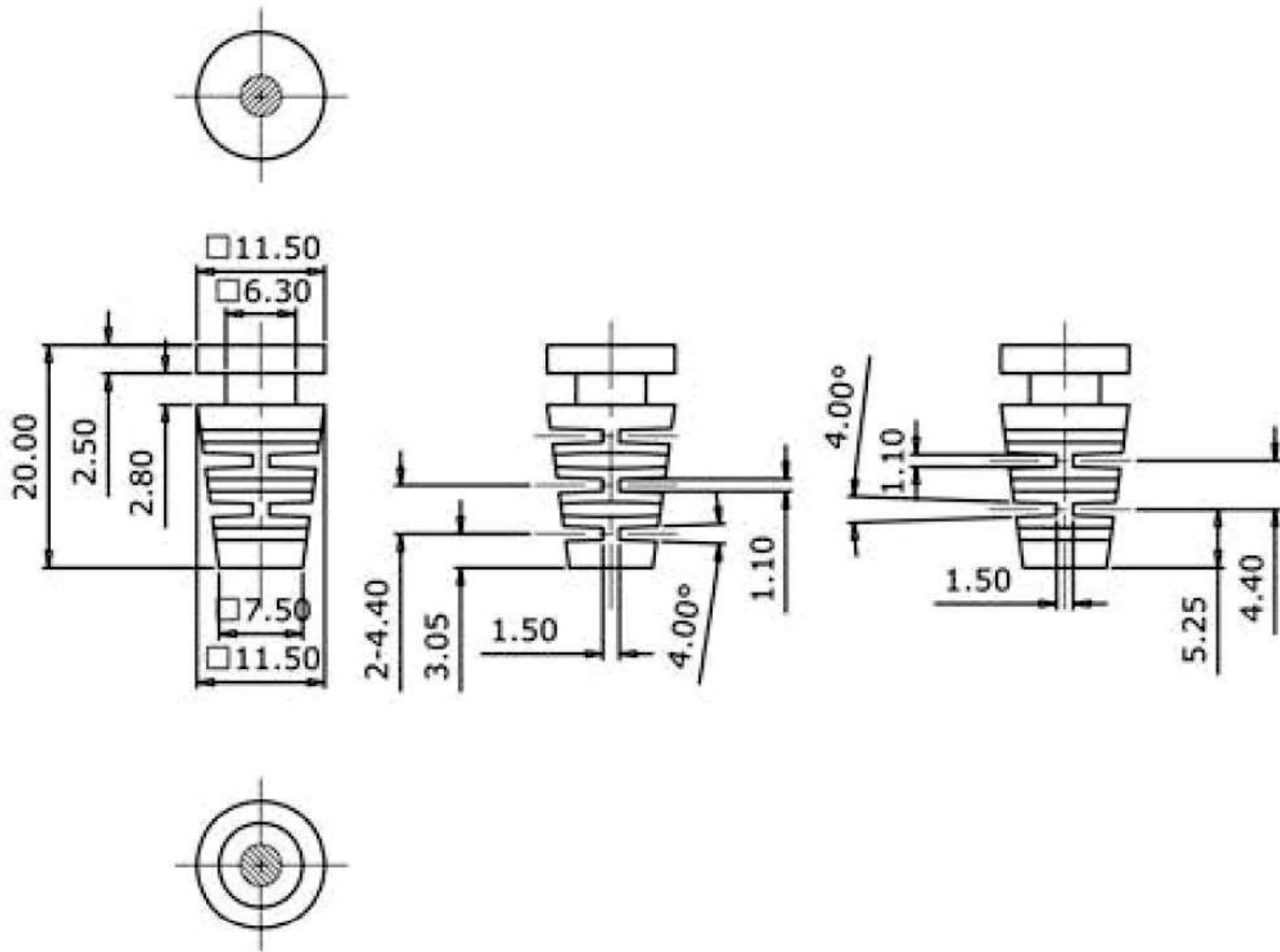
MALE

LEADFREE

煜倫股份有限公司

www.morethanall.com

DESCRIPTION:



RoHS Compliant

TOLERANCES ARE

MORETHANALL
PCB CONNECTORS
Cable ASSEMBLIES

DRAWING BY CY

CHECKED BY GENIUS

UNIT / mm

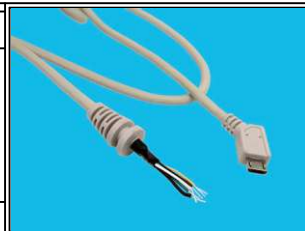
SCALE 1 : 1

DATE

SIZE A4

X. ±
.X ±
.XX ±
.XXX ±
ANG ±

PPOJECTION



ORDER INFORMATION

MIBX1-5BA0028GESR-M4M-LF

SERIES

5 PIN B TYPE
ANGLE

SR

GRAY
28 AWG

400CM

MALE

LEADFREE

煜倫股份有限公司

www.morethanall.com

DESCRIPTION: