

SPECIFICATIONS

Voltage rating: 300V AC,DC

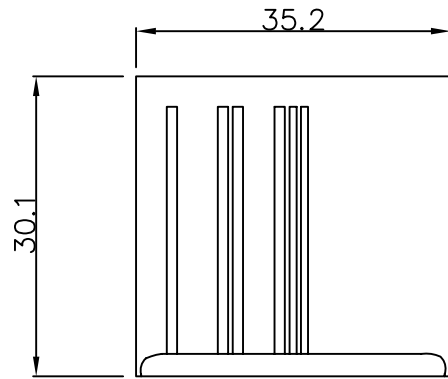
Current rating: 12A,AC,DC

Withstanding voltage: 1500V AC/minute

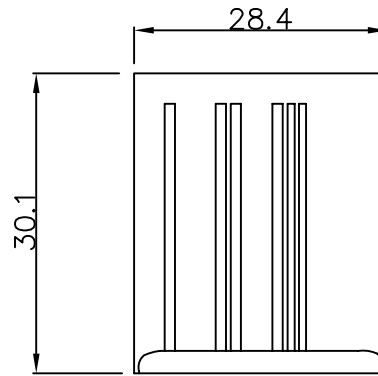
Insulation resistance: 1000M OHM min

Temperature range: -25°C~+85°C

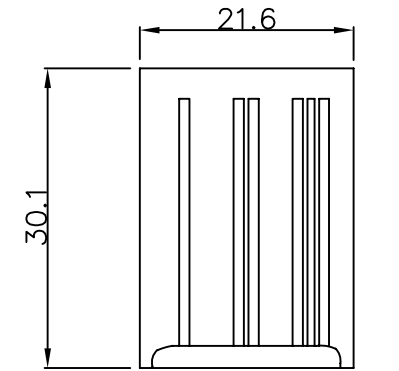
Material: UL94V-2 nylon 66



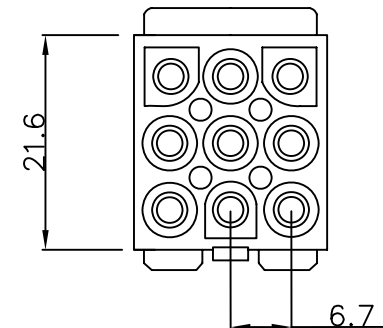
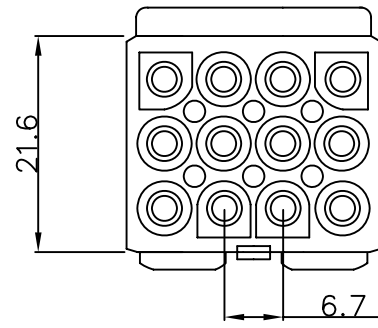
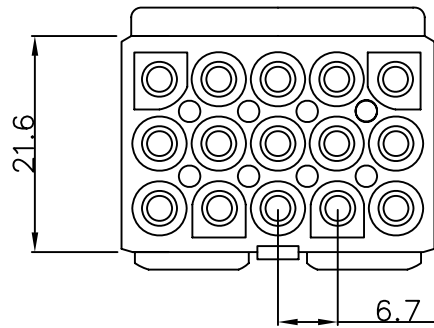
PWL-P-3X05



PWL-P-3X04



PWL-P-3X03



RoHS Compliant

TOLERANCES ARE

MORETHANALL
PCB CONNECTORS
Cable ASSEMBLIES

煜倫股份有限公司

www.morethanall.com

DRAWING BY CY

CHECKED BY GENIUS

UNIT / mm

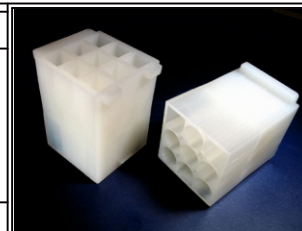
SCALE 1 : 1

DATE

SIZE A4

PPOJECTION

X. ±
.X ±
.XX ±
.XXX ±
ANG ±



ORDER INFORMATION

PWL-P-3Xxx-LF

SERIES	LEADFREE
	3X03:09 WAY
	3X05:15 WAY

MALE HOUSING

DESCRIPTION: