

Technical Data:

Material:



- Contact(metal housing): Brass (CuZn)
- Terminal screw: Steel galvanized and chromate or Nickel plated or Tin plated(standard)(option)
- Wire guard: Stainless steel
- Surface of solder tail: tin plated
- Insulator body(housing): Polyamide(Glass filled)(UL94V-0)

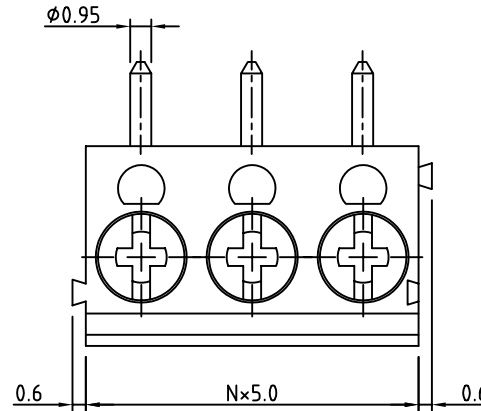
Electrical

- Voltage rating: 250VAC
- Current rating: 16 Amps/way max
- Contact resistance: 20mΩ(max)
- Insulation resistance: 5000MΩ/1000V
- Withstanding Voltage: 1500VAC(1min) Test time=60sec/1pcs
- Wire range: 14-22AWG

Mechanical:

- Torque: 4kg-cm/M3
- Operating temperature: -33°C to +120°C
- Soldering ability: 95%coverage(min)  
Test temperature= 230°C±10°C  
Test time= 4sec±0.5sec
- Soldering reliability:  
Test temperature= 250°C±10°C  
5 seconds max

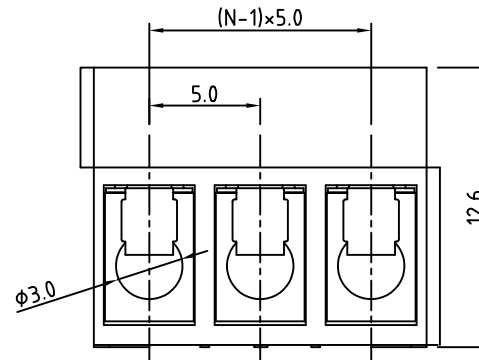
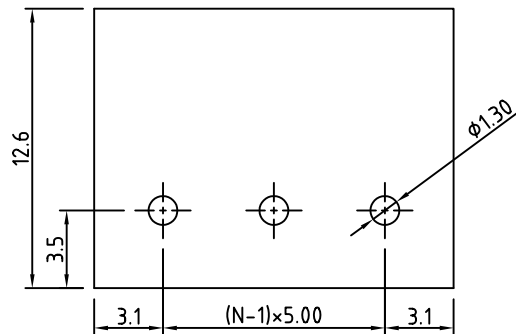
Safety approval deta:  



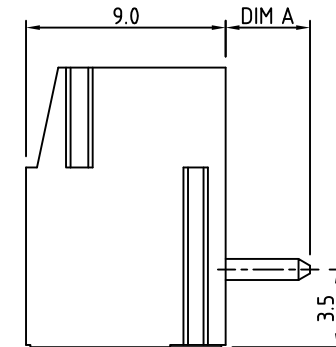
DIM A Length

Code	DIM A
0	4.4mm
1	3.8mm
2	3.5mm

P.C.B. LAYOUT



N=Number of contacts



RoHS Compliant

TOLERANCES ARE

**MORETHANALL**  
PCB CONNECTORS  
Cable ASSEMBLIES

煜倫股份有限公司

www.morethanall.com

DRAWING BY CY

CHECKED BY GENIUS

UNIT / mm

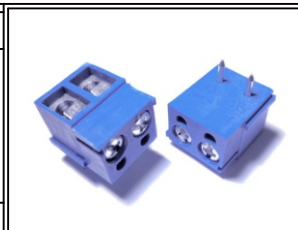
SCALE 1 : 1

DATE

SIZE A4

P PROJECTION 

X. ±  
.X ±  
.XX ±  
.XXX ±  
ANG ±



ORDER INFORMATION

TBN050-R12-xx-LF

SERIES

LEADFREE

02-24WAY

LONG 12.6mm

DIP 90°

DESCRIPTION: