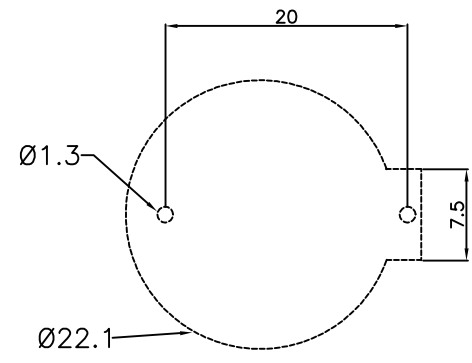
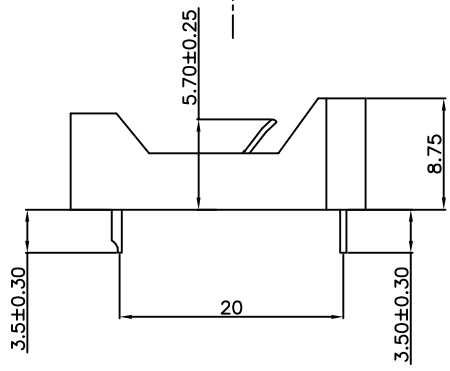
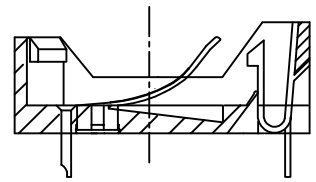


HOUSING: NYLON 46 UL 94V-0
 CONTACT: PHOSPHOR BRONZE
 FINISH: TIN PLATED OVER NICKEL



PCB HOLE LAYOUT



SECTION A-A

RoHS Compliant

TOLERANCES ARE

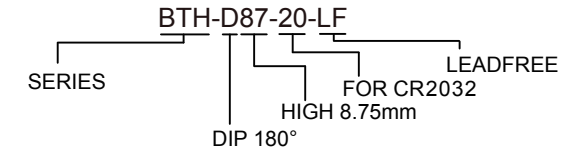
MORETHANALL
 PCB CONNECTORS
 Cable ASSEMBLIES

DRAWING BY CY
 CHECKED BY GENIUS
 UNIT / mm SCALE 1:1
 DATE

X. ±
 .X ±
 .XX ±
 .XXX ±
 ANG ±



ORDER INFORMATION



煜倫股份有限公司

www.morethanall.com

SIZE A4 PPROJECTION

DESCRIPTION: