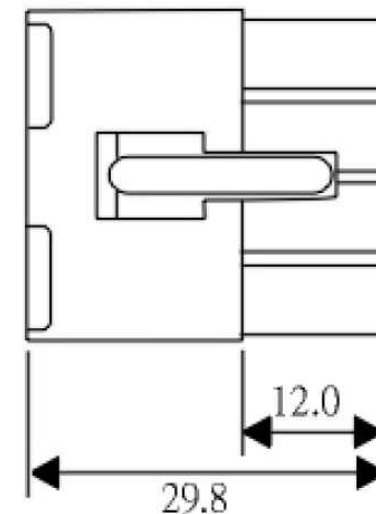
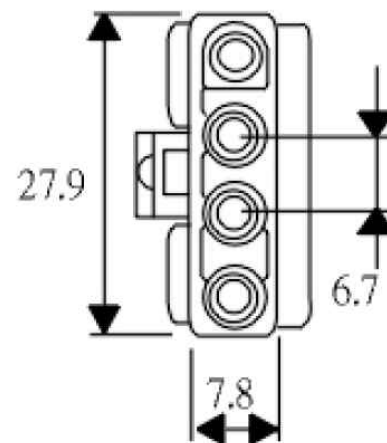
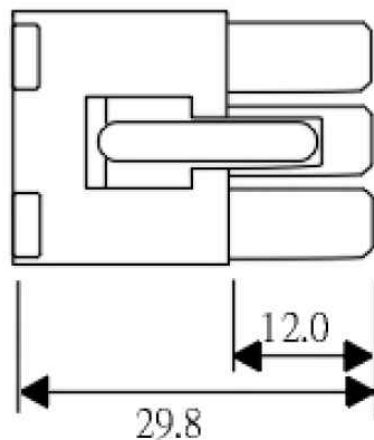
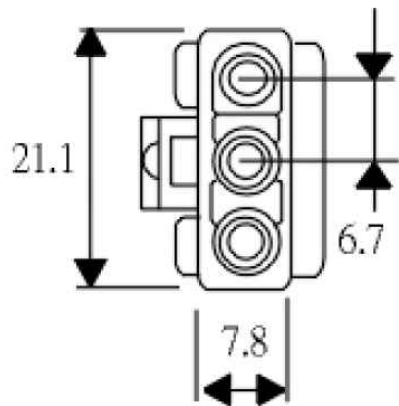


PWL-S-1X01

PWL-S-1X02



PWL-S-1X03

PWL-S-1X04

RoHS Compliant

TOLERANCES ARE

MORETHANALL
PCB CONNECTORS
Cable ASSEMBLIES

煜倫股份有限公司

www.morethanall.com

DRAWING BY CY

CHECKED BY GENIUS

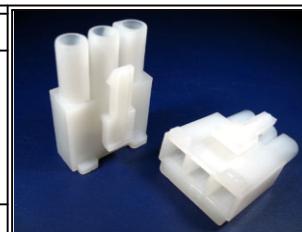
UNIT / mm SCALE 1 : 1

DATE

SIZE A4

X. ±
.X ±
.XX ±
.XXX ±
ANG ±

PJECTION



ORDER INFORMATION

PWL-S-1Xxx-LF
SERIES | LEADFREE
1X02:02 WAY
1X04:04 WAY
FEMALE HOUSING

DESCRIPTION: