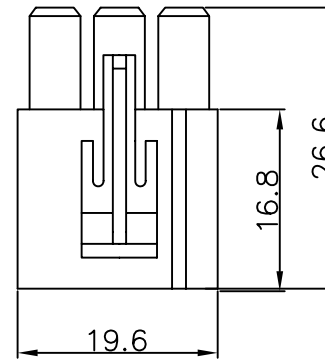
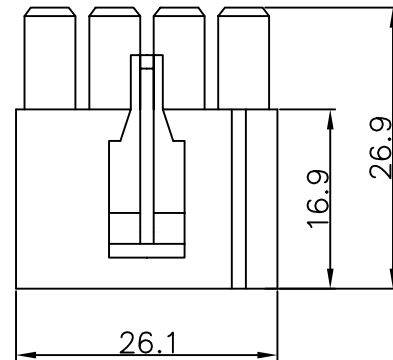
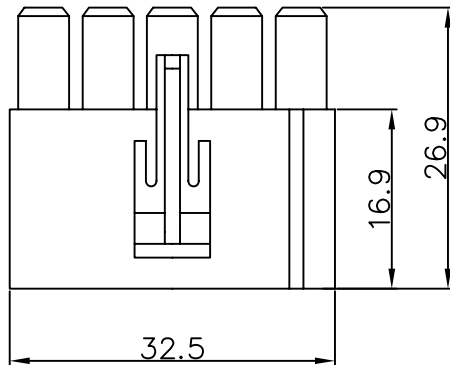
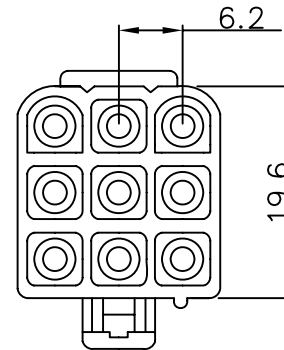
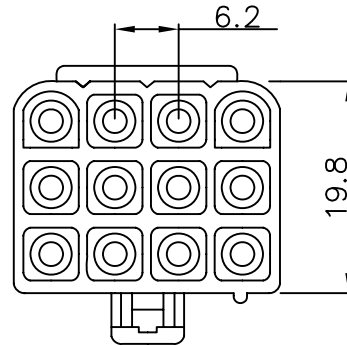
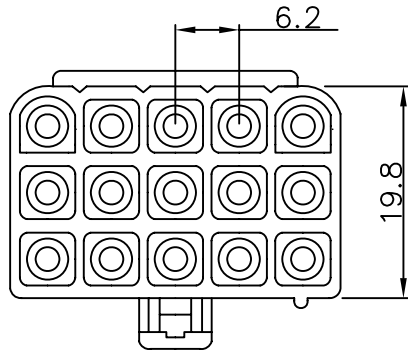


**SPECIFICATIONS**

Circuit:1,2,3,4,6,9,12,15  
 Voltage rating:300V AC,DC  
 Current rating:12A AC,DC  
 Withstanding voltage:1500V AC/minute  
 Insulation resistance:1000M ΩHM min  
 Temperature range:-25 C~+90 C  
 Material:UL94V-2 nylon 66



L-S-3X05

L-S-3X04

L-S-3X03

**RoHS Compliant**

TOLERANCES ARE

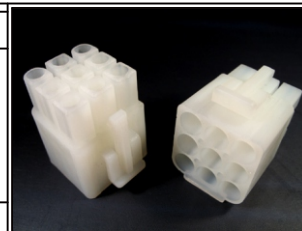


煜倫股份有限公司

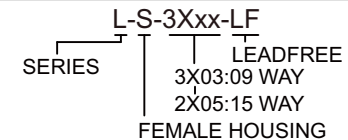
www.morethanall.com

DRAWING BY CY	
CHECKED BY GENIUS	
UNIT / mm	SCALE 1 : 1
DATE	
SIZE A4	PPOJECTION

X, ±  
 .X ±  
 .XX ±  
 .XXX ±  
 ANG ±



**ORDER INFORMATION**



DESCRIPTION: