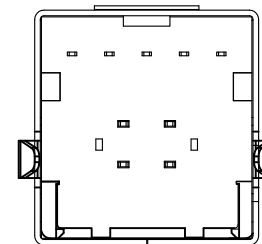
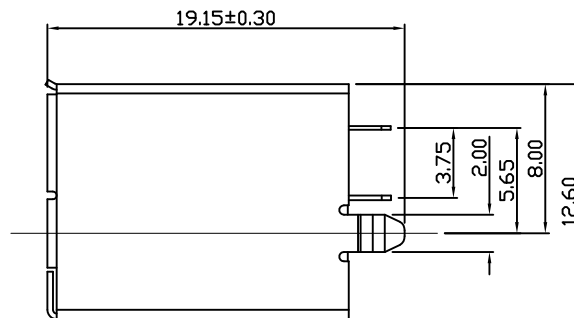
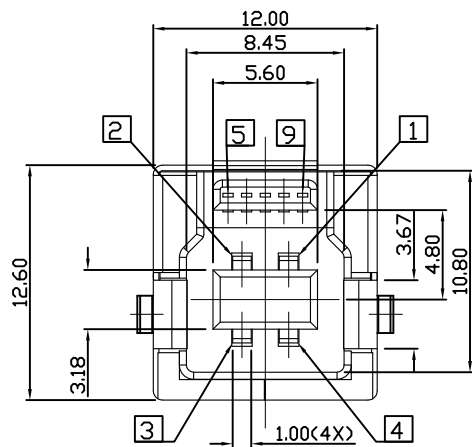


PCB LAYOUT



ELECTRICAL CHARACTERISTICS:  
 30V DC/AC 1A Max.  
 CONTACT RESISTANCE:  
 INSULATION RESISTANCE:  
 100M Ω Min.at 500VΩDC.  
 DIELECTRIC STRENGTH:  
 750V AC/1 minute.  
 INSERTION FORCE:3.6kgf MAX  
 WITHDRAWAL:1.0kgf MIN

6	USB3.0-B母座立式-外殼	1	BRASS T=0.30mm FINISH:NICKEL	
5	USB3.0-B母座立式-后塞	1	High temp. thermoplastic UL 94V-0	
4	USB3.0-B母座立式-下座	1	High temp. thermoplastic UL 94V-0	
3	USB3.0-B母座立式-上座	1	High temp. thermoplastic UL 94V-0	
2	USB3.0-B母座立式-端子	4	PHOSPHOR BRONZE T=0.25mm SEE TABLE	
1	USB3.0-B母座立式-PIN 5	1	BRASS T=0.20mm SEE TABLE	
項次	品名	數量	規格	備注

RoHS Compliant

TOLERANCES ARE

**MORETHANALL**  
 PCB CONNECTORS  
 Cable ASSEMBLIES

DRAWING BY CY

CHECKED BY GENIUS

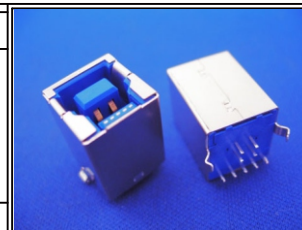
UNIT / mm SCALE 1 : 1

DATE

SIZE A4

X. ±  
 .X ±  
 .XX ±  
 .XXX ±  
 ANG ±

P PROJECTION



ORDER INFORMATION

USB-SDBL-9B-LF  
 SERIES | LEADFREE  
 | 9 PIN B TYPE  
 | BLUE  
 | DIP 180°  
 | FEMALE

煜倫股份有限公司

www.morethanall.com

DESCRIPTION: USB3.0-B母座立式