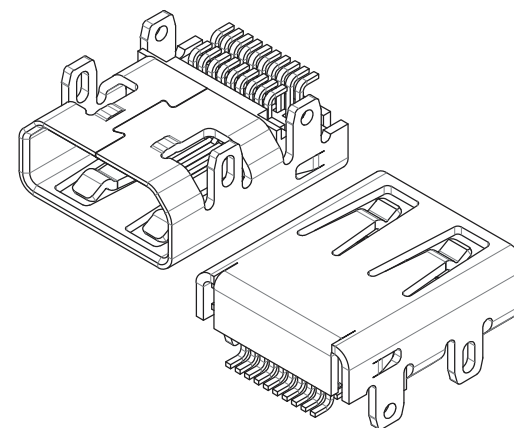


NOTES :

- Material :
Housing : High temperature thermoplastic,UL94-V0.
Color : Black
HDMI Terminal : Copper Alloy.
Cover : Copper Alloy.
- Finish :
Terminal : Underplate : Ni 50 μ " MIN. over all.
Solder tail μ "100 Sn MIN. Lead free over Ni plate.
Contact arer: Au over Ni plate
Cover : Underplate :50 μ " MIN. Ni over all.
Sn μ " 100 MIN over Ni .
- Coplanarity Must Be Within 0.12 Max.



RoHS Compliant

TOLERANCES ARE

MORETHANALL
PCB CONNECTORS
Cable ASSEMBLIES

DRAWING BY CY

X. \pm

CHECKED BY GENIUS

.X \pm

UNIT / mm

SCALE 1 : 1

.XX \pm

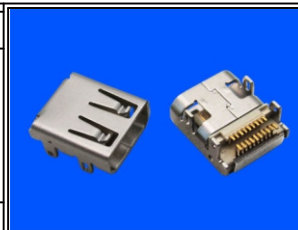
.XXX \pm

ANG \pm

DATE

SIZE A4

PJECTION



ORDER INFORMATION

MIHDMI-SWMM-19-LF

SERIES

LEADFREE

19 WAY

METAL FOOT

90°SMT

FEMALE

煜倫股份有限公司

www.morethanall.com

DESCRIPTION: HDMI TYPE D RECEPTACLE CONNECTOR