

# TECHNICAL CHARACTERISTICS

## 1. General Characteristics

Dimension: 15.10L x 13.00W x 1.30H mm  
 Weight: Approx. g  
 Contact principle: Friction technology  
 Operating position: Shaft up / Down / Horizontal  
 Mounting System: SMT Type (without post)  
 Durability: 5,000 cycles min.

## 2. Mechanical Characteristics

Insulation material: Thermoplastic, UL 94V-0  
 RoHS Directive 2002/95/EC Compliant

## 3. Electrical Characteristics

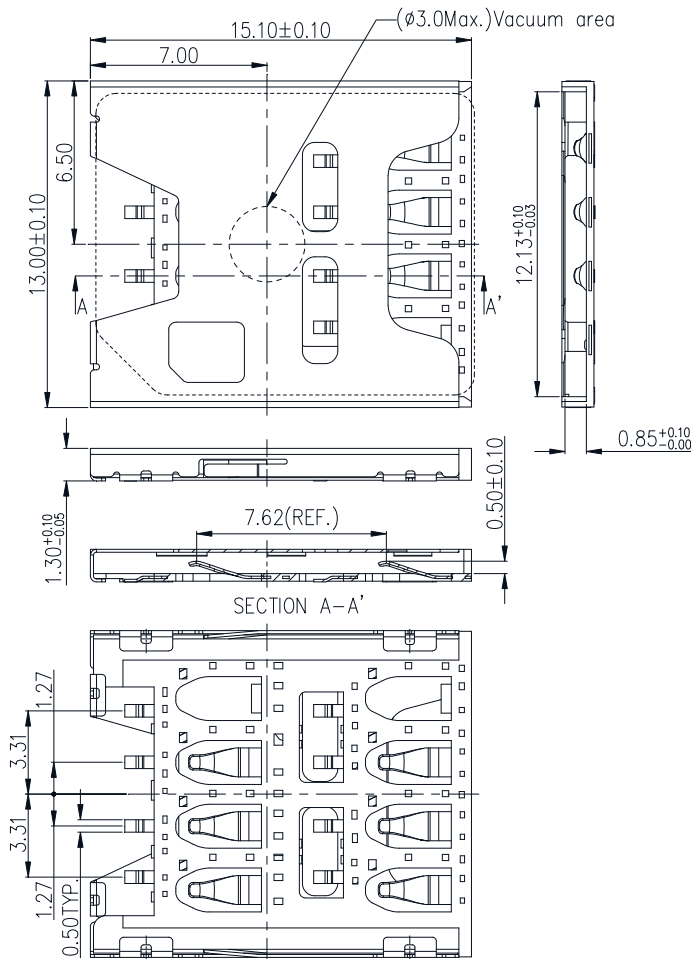
Number of contacts: 6, 8 pins (optional)  
 Contact resistance: 50 m typical, 100 m max.  
 Insulation resistance: >1000 M / 500 VDC

## 4. Solderability

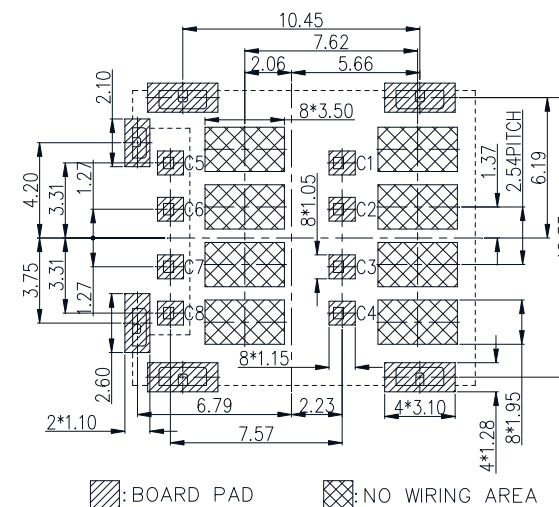
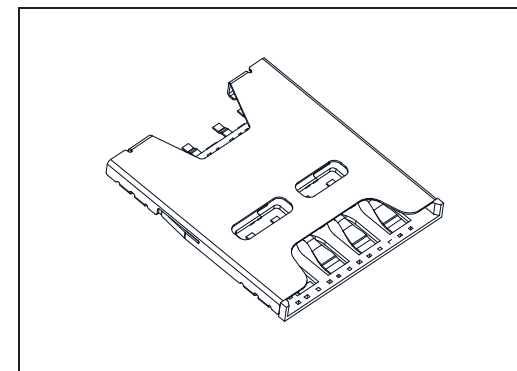
Wave: Not applicable  
 IR reflow: 260C, 10 sec. Max.  
 Manual soldering: 360C, 3 sec. Max.

## 5. Environmental Characteristics

Operating temperature: - 40C ~ + 85 C  
 Operating humidity: 10 % ~ 95 % RH  
 Storage temperature: - 40C ~ + 85 C  
 Storage humidity: 10 % ~ 95 % RH



Unit: mm; Tolerances: 0.15 mm  
**Mechanical outline dimension**



Unit: mm; Tolerances: 0.05 mm  
**Reference dimension for PCB layout**

**RoHS Compliant**

TOLERANCES ARE

**MORETHANALL**  
 PCB CONNECTORS  
 Cable ASSEMBLIES

煜倫股份有限公司

www.morethanall.com

DRAWING BY CY

CHECKED BY GENIUS

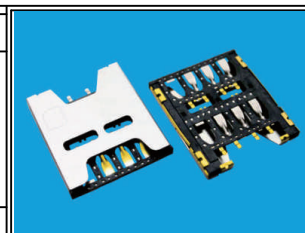
UNIT/mm SCALE 1:1

DATE

SIZE A4

PJECTION

X. ±  
 .X ±  
 .XX ±  
 .XXX ±  
 ANG ±



**ORDER INFORMATION**

MISCT-W0713X-xx-LF



DESCRIPTION: