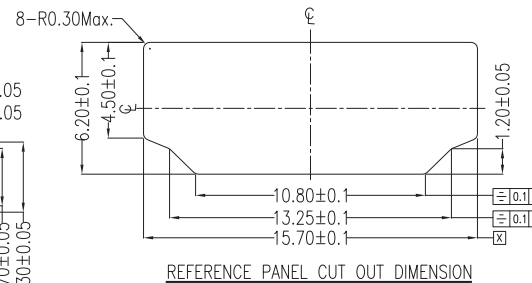
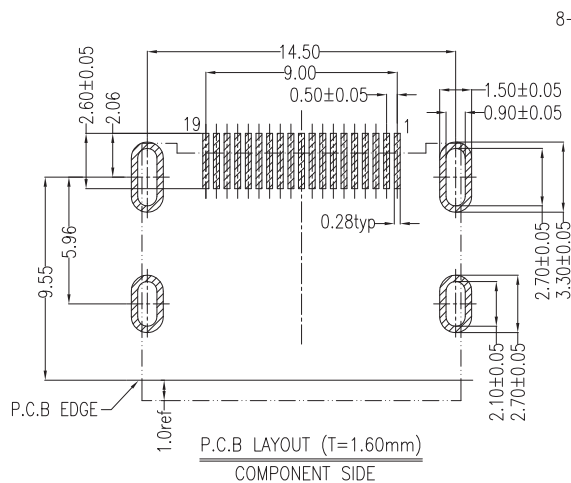
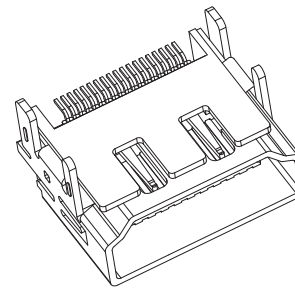
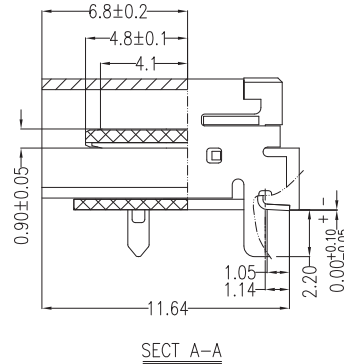
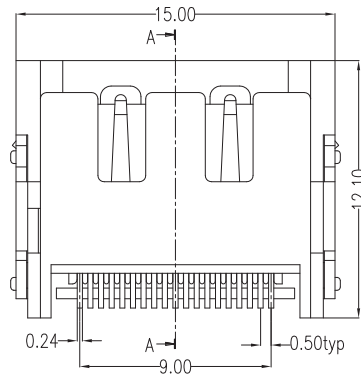


No.	Signal Name	No.	Signal Name
1	TMDS Data2+	11	TMDS Clock Shield
2	TMDS Data2 Shield	12	TMDS Clock-
3	TMDS Data2-	13	CEC
4	TMDS Data1+	14	Reserved (in cable but N.C. on device)
5	TMDS Data1 Shield	15	SCL
6	TMDS Data1-	16	SDA
7	TMDS Data0+	17	DDC/CEC Ground
8	TMDS Data0 Shield	18	+5V Power
9	TMDS Data0-	19	Hot Plug Detect
10	TMDS Clock+		



## NOTES:

### \*Material

Housing: LCP+50%G.F., UL 94V-0 Rated; Color: Black.  
 Shell: Brass.  
 Plating: Nickle(40u" Min.) Plating .  
 Contact: Brass.  
 Plating: Gold plating on contact area;  
 Tin(100u" Min.) plating on solder tail;  
 Nickel(40u" Min.) underplating overall.

### \*Electrical Specification

Operation Voltage: 40 VAC max.  
 Current Rating: 0.5 Ampere per contact  
 Contact Resistance: 10 mΩ max.  
 Insulation Resistance: 100 MΩ min.  
 Dielectric Withstanding Voltage: 500 VAC

### \*Environmental

Operating Temperature: -20°C to +85°C

**RoHS Compliant**

TOLERANCES ARE

**MORETHANALL**  
 PCB CONNECTORS  
 Cable ASSEMBLIES

DRAWING BY CY

CHECKED BY GENIUS

UNIT/ mm

SCALE 1:1

DATE

SIZE A4

X, ±  
 .X ± 0.38  
 .XX ± 0.25  
 .XXX ± 0.20  
 ANG ± 3°

PJECTION



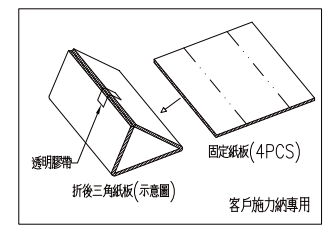
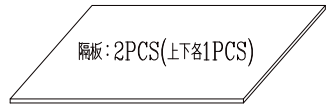
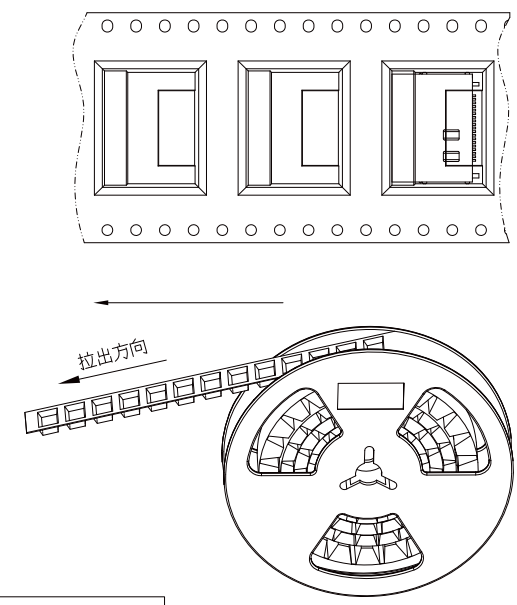
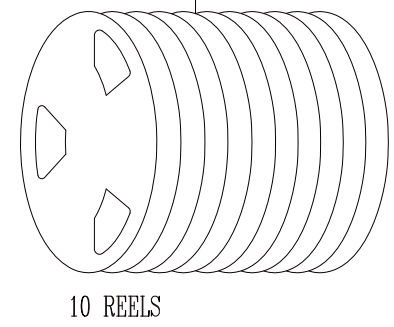
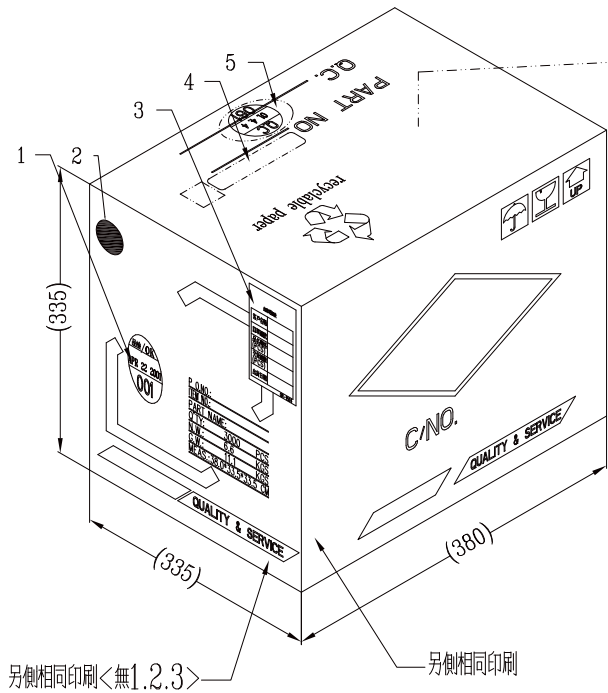
### ORDER INFORMATION

**HDMI-SWMS15R-19-LF**  
 SERIES | REEL | SEMI GOLD 15u" | LEADFREE  
 FEMALE | METAL FOOT | 19WAY | 90° SMT

DESCRIPTION:

煜倫股份有限公司

www.morethanall.com



類型	材質	規格(Unit:mm)	數量
外箱	A=A	380*335*335	1PCS
隔板	A1A	375*332*3	2PCS
旋轉膠盤	PC	φ330*φ100	10PCS
承載膠帶	PS(黑)	32(W)*6600(L)*0.50(T)	10PCS
封裝膠帶	PET	25.5(W)*6600(L)*0.05(T)	0.200PCS
PE袋	PE	600(開口)*1000*0.05	1PCS

- \*加蓋印記位置
1. 品管注章(檢驗合格章)
  2. 月份標記
  3. 出貨明細表
  4. 該產品料號.
  5. 生產制造日期, 檢驗員代號.
  6. 紙箱尺寸為內空間尺寸.

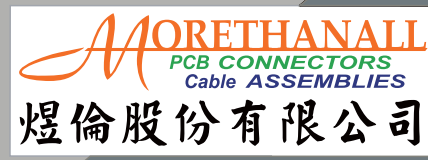
\*PACKING  
300 PCS/REEL  
10 REELS/CARTON(共計3000pcs)

\*PACKING DETAILS  
P/O.NO.:  
ITEM NO.:  
PART NAME:  
Q'TY: 3000 PCS  
N.W.: 6.6 KGS  
G.W.: 11.1 KGS  
MEAS.: 38.0\*33.5\*33.5 CM

- 注: 1. 成品組裝完成並QC完之後, 將其裝入承載帶內, 同時用封裝膠帶熱封。  
2. 檢查REEL包裝卷帶是否有松動, 如有松動, 需重新貼緊。  
3. 全檢OK後, 將Reel裝入PE袋, 底內放一包干燥劑, FQC復檢。  
4. 每一REEL卷盤上都要貼上料號和數量, 若有特殊要求請貼上客戶料號等。  
5. 產品放入REEL時, 前端空19PCS, 後端空11PCS不放產品。  
6. 此包裝外箱, 隔板, 藍色膠盤, 封裝膠帶與BZ421共用, 目前量不大時可用貼紙在相應位置貼上料號等相關標識。  
7. HDMI雙排, 三排DIP 無耳型產品可共用此包裝, 包裝時不用濕度卡和PE袋。

RoHS Compliant

TOLERANCES ARE



DRAWING BY CY

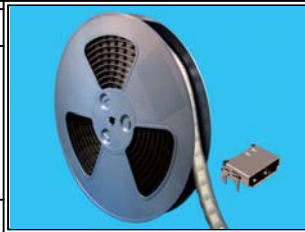
CHECKED BY GENIUS

UNIT / mm SCALE 1 : 1

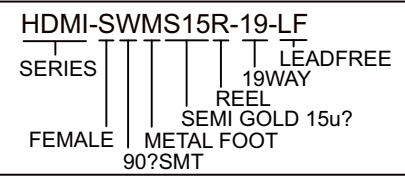
DATE

SIZE A4 PPROJECTION

X, ±  
.X ±  
.XX ± 0.15  
.XXX ± 0.05  
ANG ±



ORDER INFORMATION



DESCRIPTION: