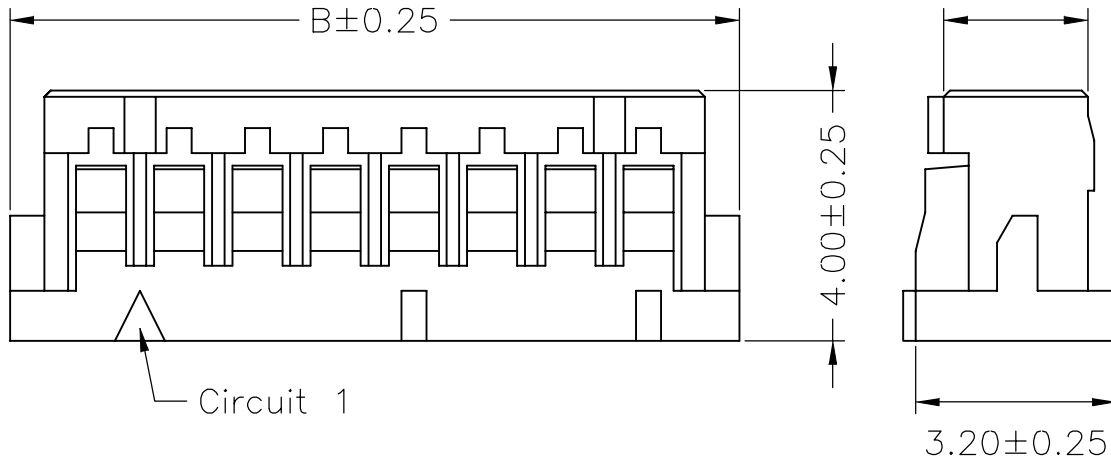
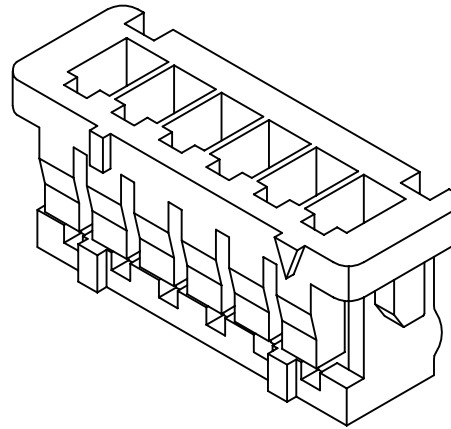
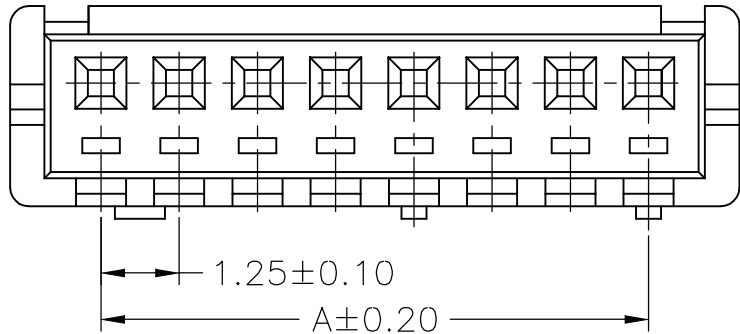


SPECIFICATIONS

Current Rating: 1A AC,DC
 Voltage Rating: 100V AC,DC
 Temperature Range: -25°C ~ +85°C
 Contact Resistance: 20mΩ Max.
 Insulation Resistance: 500MΩ Min.
 Withstanding Voltage: 500V AC/minute
 Material: Nylon 66,UL94V-0



Formation & Dimensions

PART NO.	Dimensions	
	A	B
DF13-H-1X02	1.25	4.15
DF13-H-1X03	2.50	5.40
DF13-H-1X04	3.75	6.65
DF13-H-1X05	5.00	7.90
DF13-H-1X06	6.25	9.15
DF13-H-1X07	7.50	10.40
DF13-H-1X08	8.75	11.65
DF13-H-1X09	10.00	12.90
DF13-H-1X10	11.25	14.15
DF13-H-1X11	12.50	15.40
DF13-H-1X12	13.75	16.65
DF13-H-1X13	15.00	17.90
DF13-H-1X14	16.25	19.15
DF13-H-1X15	17.50	20.40

RoHS Compliant

TOLERANCES ARE

MORETHANALL
 PCB CONNECTORS
 Cable ASSEMBLIES

煜倫股份有限公司

www.morethanall.com

DRAWING BY CY

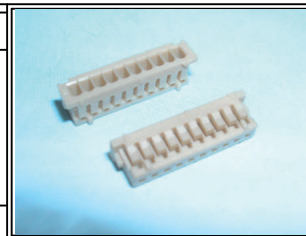
CHECKED BY GENIUS

UNIT / mm SCALE 1 : 1

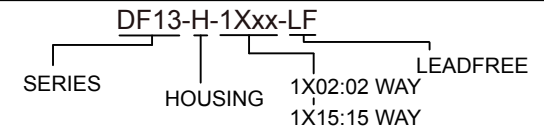
DATE

SIZE A4 PROJECTION

X, ±
 .X ±
 .XX ±
 .XXX ±
 ANG ±



ORDER INFORMATION



DESCRIPTION: 1.25mm PITCH SINGLE ROW HOUSING