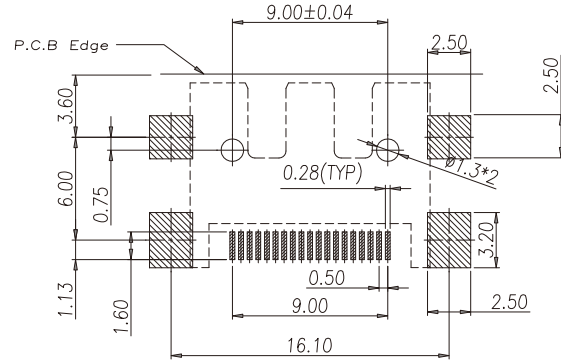
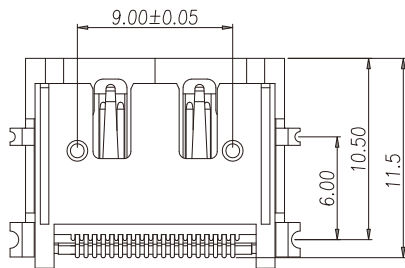
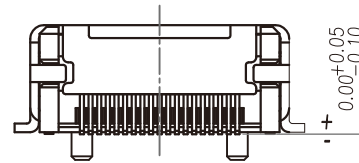
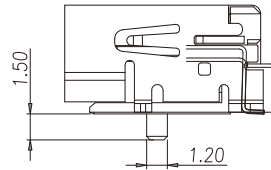
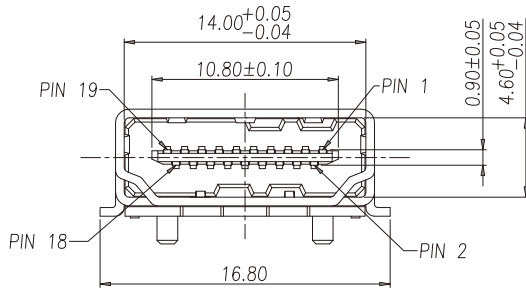


1. MATERIAL :
 - 1-1. HOUSING : LCP UL94V-0 ; COLOR : BLACK
 - 1-2. CONTACT : PHOSPHOR BRONZE
 - 1-3. SHELL : BRASS
2. FINISH :
 - 2-1. CONTACT : 15 MICRO INCHES MIN. GOLD PLATED
SOLDER AREA : MATTE TIN.
UNDER PLATE : NICKEL
 - 2-2. SHELL : MATTE TIN 100u" MIN.
UNDERPLATE : NICKEL PLATED OVER ALL



Recommend P.C.B Layout.

RoHS Compliant

TOLERANCES ARE

MORETHANALL
PCB CONNECTORS
Cable ASSEMBLIES

DRAWING BY CY

X, ±

CHECKED BY GENIUS

X ± 0.30

UNIT / mm

SCALE 1 : 1

.XX ± 0.20

DATE

.XXX ± 0.10

ANG ±

SIZE A4

P PROJECTION



ORDER INFORMATION

HDMI-SWEER-19-LF

SERIES | | | | LEADFREE
19 WAY
REEL
EAR+EAR
90°SMT
FEMALE

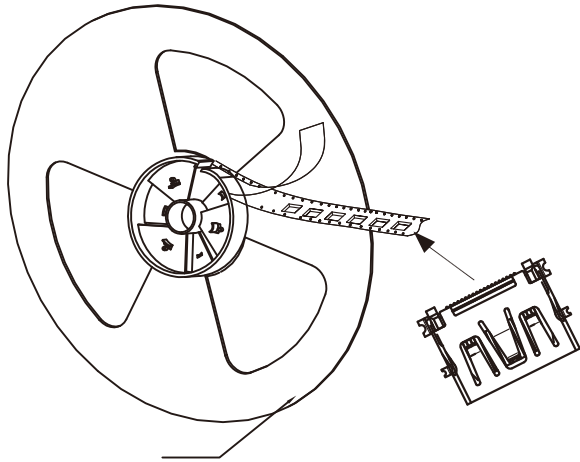
煜倫股份有限公司

www.morethanall.com

DESCRIPTION:

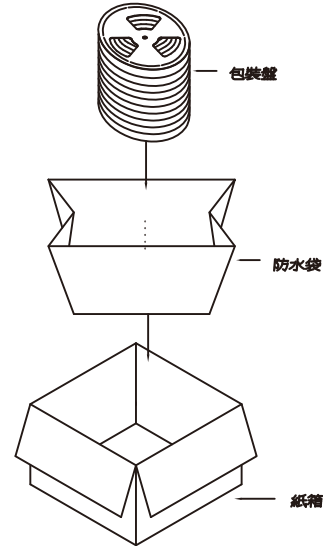
步驟一:

- 1.將成品一一放入包裝盤內,依同一方向置入.
- 2.包裝方式,如圖所示.
- 3.一個包裝盤350pcs.



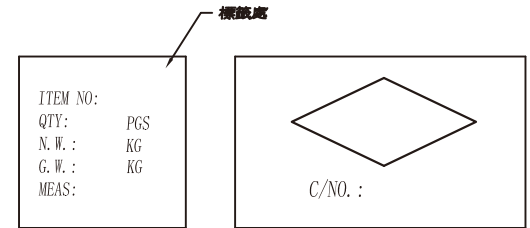
步驟二:

- 1.一個紙箱可以裝8個包裝盤.
- 2.每盤350pcs,每箱2800pcs.
- 3.將包裝盤放入防水袋中,包裝完後再封箱.



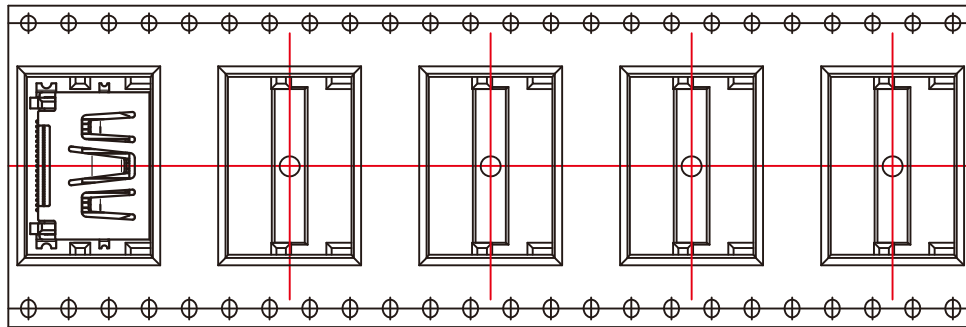
步驟三:

- 1.用膠帶將紙箱封實.
- 2.將標籤貼於紙箱上.



NOTE:

- 1.若有未裝滿之零數箱,必須以緩衝材塞滿.
- 2.在搬運過程中要輕拿輕放.
- 3.載運輸中不可堆放過多,不可有重壓現象.
- 4.上帶在貼下帶時必須平整,且黏貼處不要出現氣泡.



RoHS Compliant

TOLERANCES ARE

MORETHANALL
PCB CONNECTORS
Cable ASSEMBLIES

煜倫股份有限公司

www.morethanall.com

DRAWING BY CY

CHECKED BY GENIUS

UNIT / mm

SCALE 1 : 1

DATE

SIZE A4

PJECTION

X. ±
.X ±
.XX ±
.XXX ±
ANG ±



ORDER INFORMATION

HDMI-SWEER-19-LF
SERIES | | | | LEADFREE
19 WAY
REEL
EAR+EAR
90°SMT
FEMALE

DESCRIPTION: