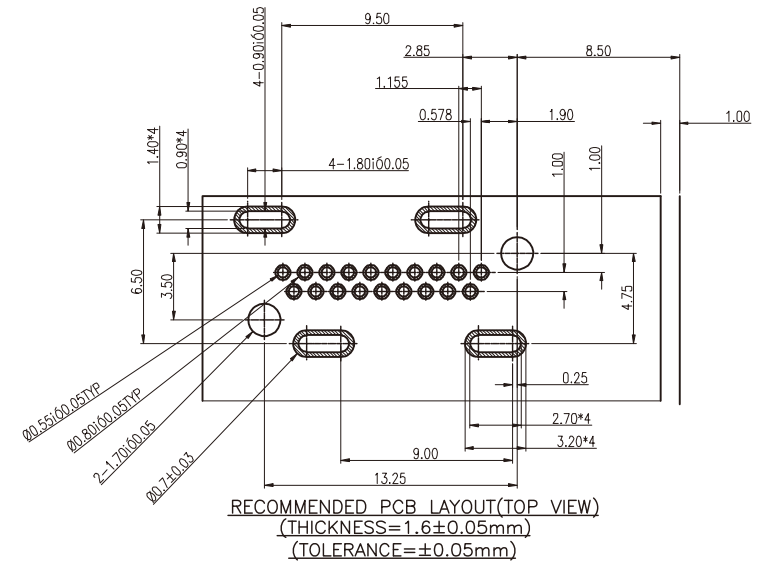
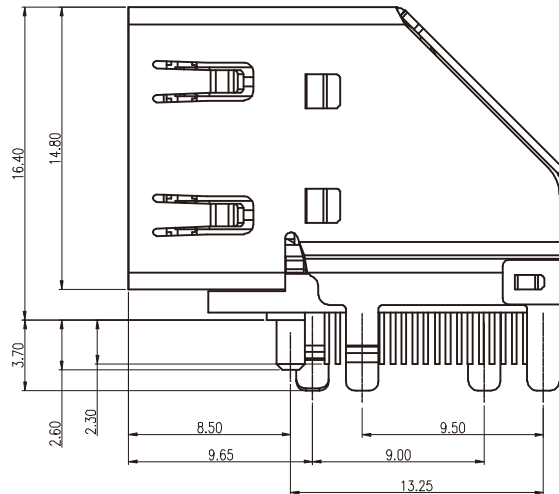
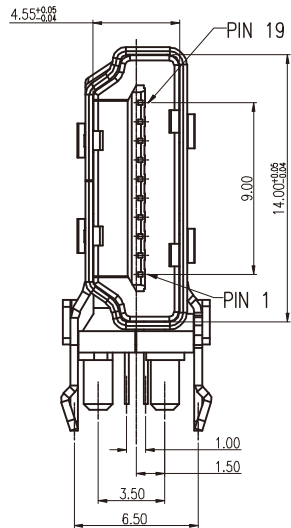


3D VIEW

NOTES:

1. MATERIAL:
 - 1.1 SHELL: STAINLESS STEEL
 - 1.2 HOUSING: HIGH TEMPERATURE THERMOPLASTIC UL 94V-0 RATED
 - 1.3 CONTACT: COPPER ALLOY
2. PLATING:
 - 2.1 CONTACT: GOLD PLATED OVER NICKEL ON CONTACT AREA AND GOLD FLASH OVER NICKEL ON SOLDER TAILS
 - 2.2 SHELL: SOLDERABLE NICKEL PLATED OR GOLD PLATED



RoHS Compliant

TOLERANCES ARE

MORETHANALL
PCB CONNECTORS
Cable ASSEMBLIES

DRAWING BY CY

X, ±

CHECKED BY GENIUS

.X ±

UNIT / mm

SCALE 1 : 1

.XX ±

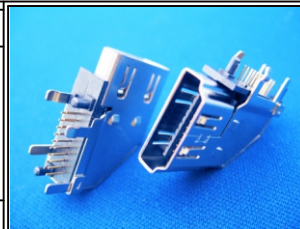
DATE

.XXX ±

ANG ±

SIZE A4

P PROJECTION



ORDER INFORMATION

HDMI-SU-19-LF
SERIES | LEADFREE
19 WAY
UPRIGHT
FEMALE

煜倫股份有限公司

www.morethanall.com

DESCRIPTION: HDMI FEMALE VERTICAL SIDE FLANGE & 19PIN SOLDER TAIL