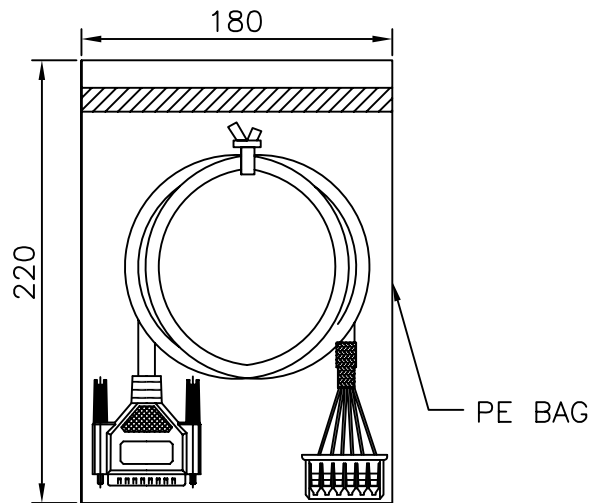


PACKING



PIN OUT

P1	COLOR	P2
4	BLACK	1
3	BROWN	2
12	RED	3
2	ORANGE	4
20	YELLOW	6

ITEM	DESCRIPTION	REMARK
1	D-SUB SOLDER TYPE MALE 25P WHITE INSULATOR	
2	1.25mm WIRE TO BOARD HOUSING & TERMINAL	
3	ROUND CABLE NO UL 28AWG*5C OD:5.5 COLOR:BLACK	
4	HEAT SHRINK TUBE OD:5.5 COLOR:BLACK	
5	45P PVC MOLDING COLOR:BLACK	

RoHS Compliant

TOLERANCES ARE

MORETHANALL
PCB CONNECTORS
Cable ASSEMBLIES

DRAWING BY CY

X.±

CHECKED BY GENIUS

.X±

UNIT / mm

SCALE 1 : 1

.XX±

DATE

.XXX±

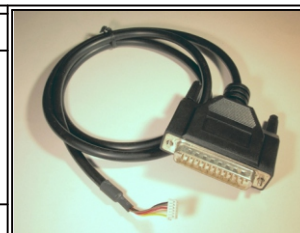
ANG±

煜倫股份有限公司

www.morethanall.com

SIZE A4

PJECTION



ORDER INFORMATION

DBFH-250628E3F-LF

SERIES

LEADFREE

900mm

MALE TO FEMALE

28 AWG

25 TO 06 WAY

DESCRIPTION: ROUND CABLE MOLDING