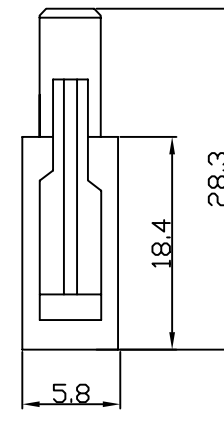
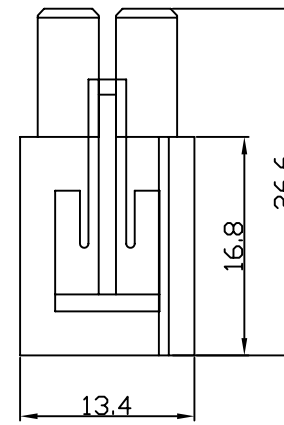
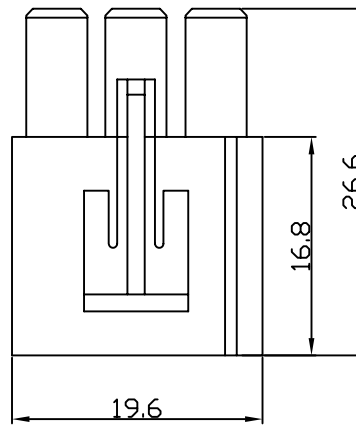
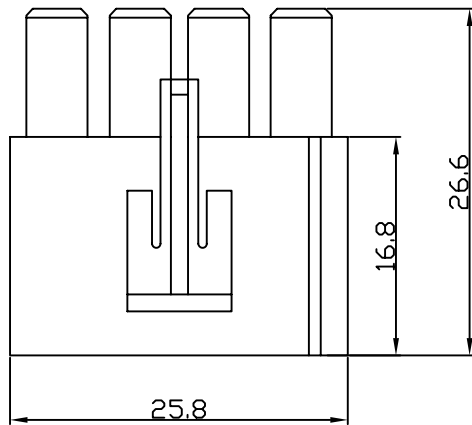
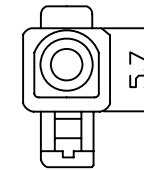
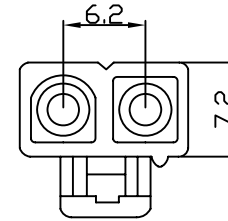
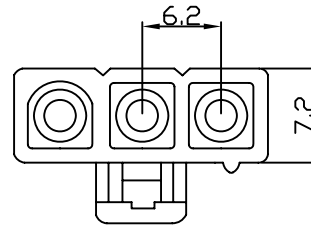
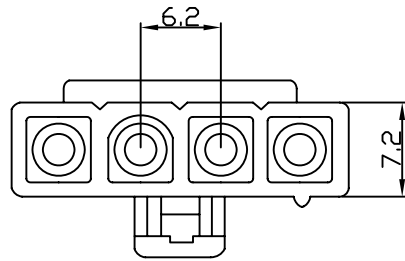


SPECIFICATIONS
 Circuit:1,2,3,4,6,9,12,15
 Voltage rating:300V AC,DC
 Current rating:12A AC,DC
 Withstanding voltage:1500V AC/minute
 Insulation resistance:1000M ΩHM min
 Temperature range:-25 C~+90 C
 Material:UL94V-2 nylon 66



L-S-1X04

L-S-1X03

L-S-1X02

L-S-1X01

RoHS Compliant

TOLERANCES ARE

MORETHANALL
 PCB CONNECTORS
 Cable ASSEMBLIES

DRAWING BY CY

X.±

CHECKED BY GENIUS

.X±

UNIT/mm

SCALE 1:1

.XX±

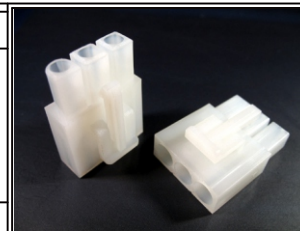
DATE

.XXX±

ANG±

SIZE A4

PPOJECTION



ORDER INFORMATION

L-S-1Xxx-LF
 SERIES | LEADFREE
 | 1X01:01 WAY
 | 1X04:04 WAY
 FEMALE HOUSING

煜倫股份有限公司

www.morethanall.com

DESCRIPTION: