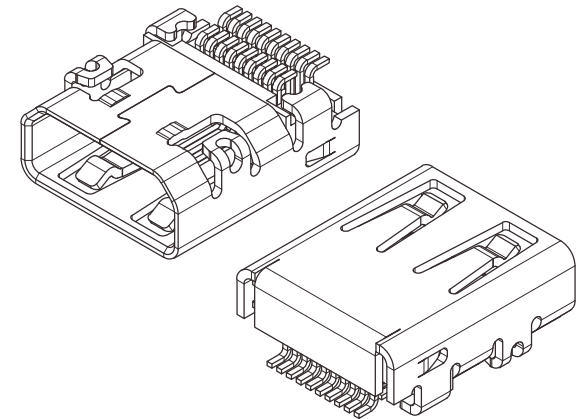


NOTES :

- Material :  
Housing : High temperature thermoplastic,UL94-V0.  
Color : Black  
HDMI Terminal : Copper Alloy,  
Cover : Copper Alloy.
- Finish :  
Terminal : Underplate : Ni 50  $\mu$ " MIN. over all.  
Sn $\mu$ "100 MIN Solder tail  $\mu$ "Sn100 MIN Lead free over Ni plate.  
Contact arer: Au over Ni plate  
Cover : Underplate :50  $\mu$ " MIN. Ni over all.  
over Ni .
- Coplanarity Must Be Within 0.12 Max.



RoHS Compliant

TOLERANCES ARE

**MORETHANALL**  
PCB CONNECTORS  
Cable ASSEMBLIES

DRAWING BY CY

CHECKED BY GENIUS

UNIT / mm

SCALE 1 : 1

DATE

SIZE A4

PJECTION

X.  $\pm$   
.X  $\pm$   
.XX  $\pm$   
.XXX  $\pm$   
ANG  $\pm$



ORDER INFORMATION

MIHDMI-SWJJ-19-LF

SERIES

LEADFREE

19 WAY

JJ TYPE

90°SMT

FEMALE

煜倫股份有限公司

www.morethanall.com

DESCRIPTION: