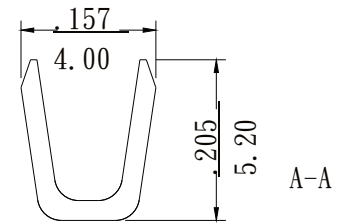
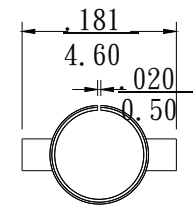
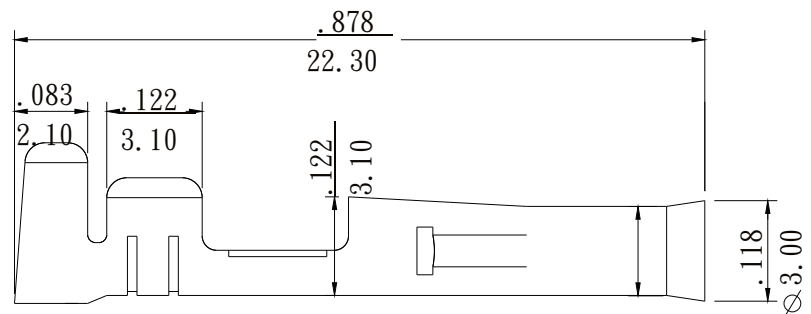
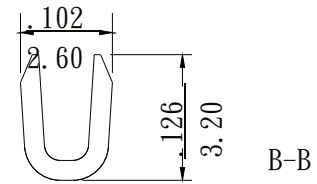
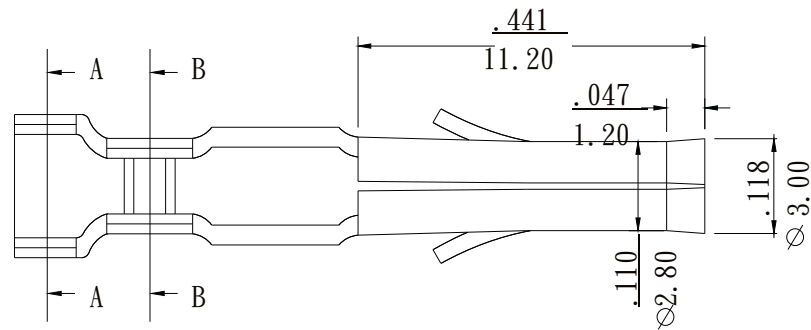


* Material : Brass



inch
mm

Part No.	Wire Range	Package
PWL-F-14	AWG#14-#20	4000PCS/REEL
PWL-F-20	AWG#20-#24	5000PCS/REEL

RoHS Compliant

TOLERANCES ARE



ORDER INFORMATION

PWL-F-xx-LF
SERIES | LEADFREE
14:14~20AWG
20:20~24AWG
FEMALE TERMINAL

MORETHANALL
PCB CONNECTORS
Cable ASSEMBLIES

煜倫股份有限公司

www.morethanall.com

DRAWING BY CY

CHECKED BY GENIUS

UNIT / mm SCALE 1 : 1

DATE

SIZE A4

X.±
.X±
.XX±
.XXX±
ANG±

PJECTION

DESCRIPTION: