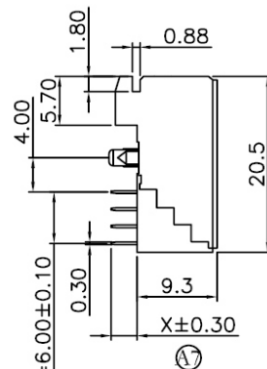
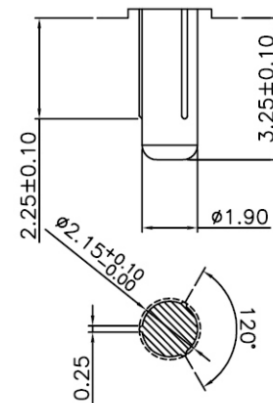


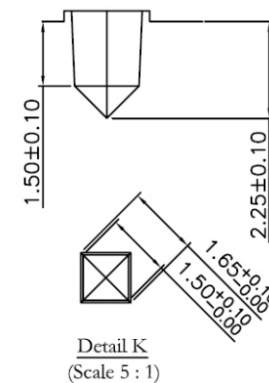
P.C. Board Layout



Remark:
 $\phi 1.50$ For Tooling.
 $\phi 1.60$ For Tooling.



Detail J
(Scale 5 : 1)



Detail K
(Scale 5 : 1)

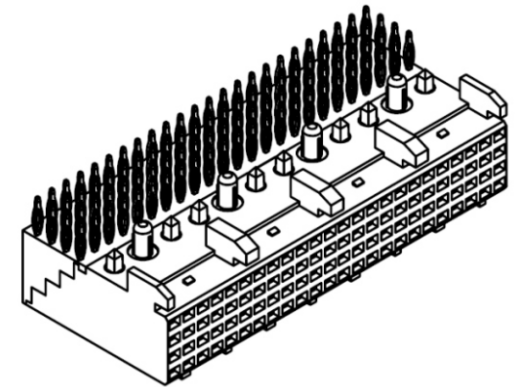
Material:

Housing: High Temperature Plastic UL94V-0
 Contacts: Phosphor Bronze.

Electrical Characteristics:

Current Rating: 1 AMP.
 Dielectric Withstanding Voltage: AC 1000V For 1 minute.
 Insulator Resistance: 1000M Ω min. at DC 500V.
 Contact Resistance: 30m Ω max. at DC 100mA.
 Operating Temperature: -65°C~+125°C .

***RoHS Compliant**



X Length	1	2
	2.90	3.53

Position (n)	Dimension		
	A	B	C
24	11.95	10.0	0
48	23.95	22.0	12.0
72	35.95	34.0	24.0
96	47.95	46.0	36.0
120	59.95	58.0	48.0
144	71.95	70.0	60.0
168	83.95	82.0	72.0
192	95.95	94.0	84.0

RoHS Compliant

TOLERANCES ARE

MORETHANALL
 PCB CONNECTORS
 Cable ASSEMBLIES

煜倫股份有限公司

www.morethanall.com

DRAWING BY CY

CHECKED BY GENIUS

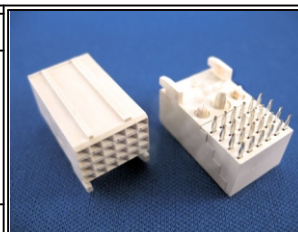
UNIT / mm SCALE 1 : 1

DATE

SIZE A4

PJECTION

X, ±
 X, ±
 .XX ±
 .XXX ±
 ANG ±



ORDER INFORMATION

FUB-SQxx-4Xxx-LF

SERIES | LEADFREE
 02:2.90mm 4X06:24WAY
 03:3.53mm |
 90°PRESS FIT 4X48:192WAY
 FEMALE

DESCRIPTION: