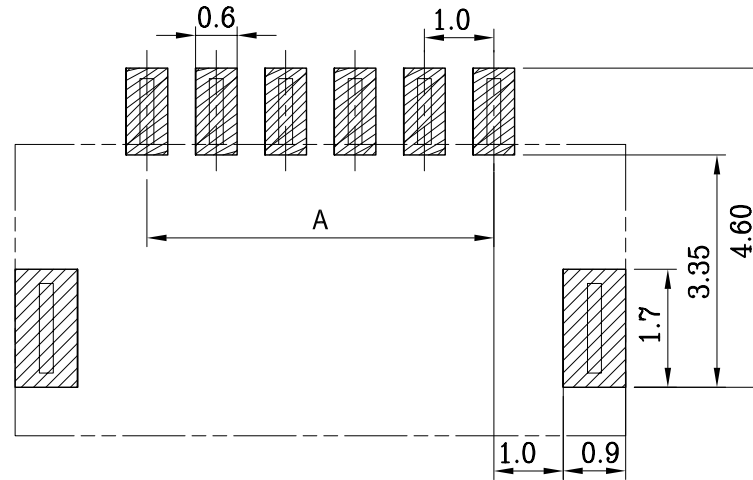
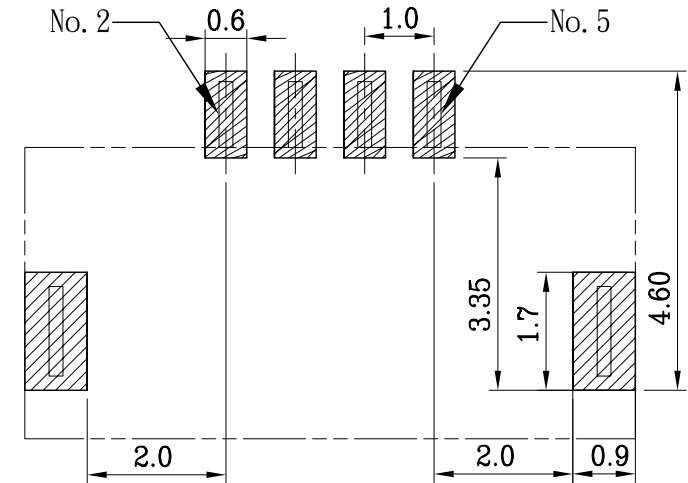


NOTES:

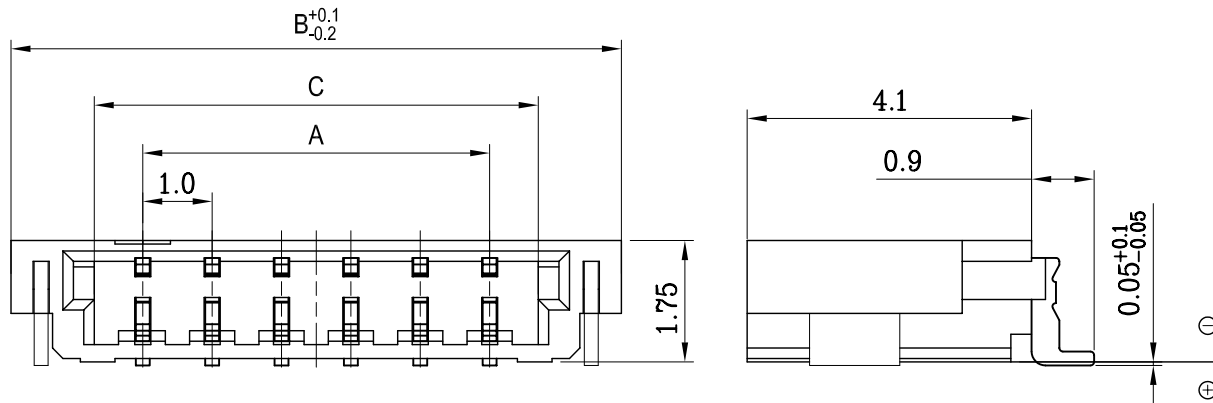
- 1. MATERIAL:
 - 1.1 HOUSING: THERMOPLASTIC, HIGH TEMP., UL94V-0; COLOR: Natural.
 - 1.2 CONTACT: COPPER ALLOY
 - 1.3 FITTING NAIL: COPPER ALLOY
- 2. FINISH:
 - 2.1 CONTACT: "PER MTA PLATING CODE"
 - 2.2 FITTING NAIL: "PER MTA PLATING CODE"
- 3. REFLOW SOLDER CAPABLE TO 260°C



SHL-WR-xx
P.C. BOARD LAYOUT



SHL-W-06EC Void No.1 & No.6
P.C. BOARD LAYOUT REF.



| CKTS | DIM A | DIM B | DIM C | CKTS | DIM A | DIM B | DIM C |
|------|-------|-------|-------|------|-------|-------|-------|
| 2 | 1.00 | 4.80 | 2.40 | 16 | 15.00 | 18.80 | 16.40 |
| 3 | 2.00 | 5.80 | 3.40 | 17 | 16.00 | 19.80 | 17.40 |
| 4 | 3.00 | 6.80 | 4.40 | 18 | 17.00 | 20.80 | 18.40 |
| 5 | 4.00 | 7.80 | 5.40 | 19 | 18.00 | 21.80 | 19.40 |
| 6 | 5.00 | 8.80 | 6.40 | 20 | 19.00 | 22.80 | 20.40 |
| 4 | 5.00 | 8.80 | 6.40 | 21 | 20.00 | 23.80 | 21.40 |
| 7 | 6.00 | 9.80 | 7.40 | 22 | 21.00 | 24.80 | 22.40 |
| 8 | 7.00 | 10.80 | 8.40 | 23 | 22.00 | 25.80 | 23.40 |
| 9 | 8.00 | 11.80 | 9.40 | 24 | 23.00 | 26.80 | 24.40 |
| 10 | 9.00 | 12.80 | 10.40 | 25 | 24.00 | 27.80 | 25.40 |
| 11 | 10.00 | 13.80 | 11.40 | 26 | 25.00 | 28.80 | 26.40 |
| 12 | 11.00 | 14.80 | 12.40 | 27 | 26.00 | 29.80 | 27.40 |
| 13 | 12.00 | 15.80 | 13.40 | 28 | 27.00 | 30.80 | 28.40 |
| 14 | 13.00 | 16.80 | 14.40 | 29 | 28.00 | 31.80 | 29.40 |
| 15 | 14.00 | 17.80 | 15.40 | 30 | 29.00 | 32.80 | 30.40 |

RoHS Compliant

TOLERANCES ARE

MORETHANALL
PCB CONNECTORS
Cable ASSEMBLIES

DRAWING BY CY

CHECKED BY GENIUS

UNIT / mm SCALE 1 : 1

DATE

SIZE A4

X, ±
.X ± 0.25
.XX ± 0.15
.XXX ± 0.10
ANG ±

PJECTION



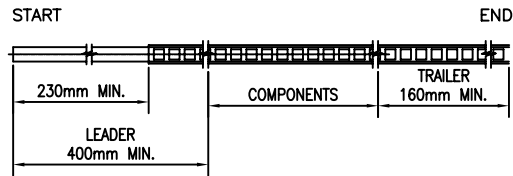
ORDER INFORMATION

SHL-WR-xx-LF
SERIES | T LEADFREE
| T 02~30WAY
| REEL
| 90°SMT

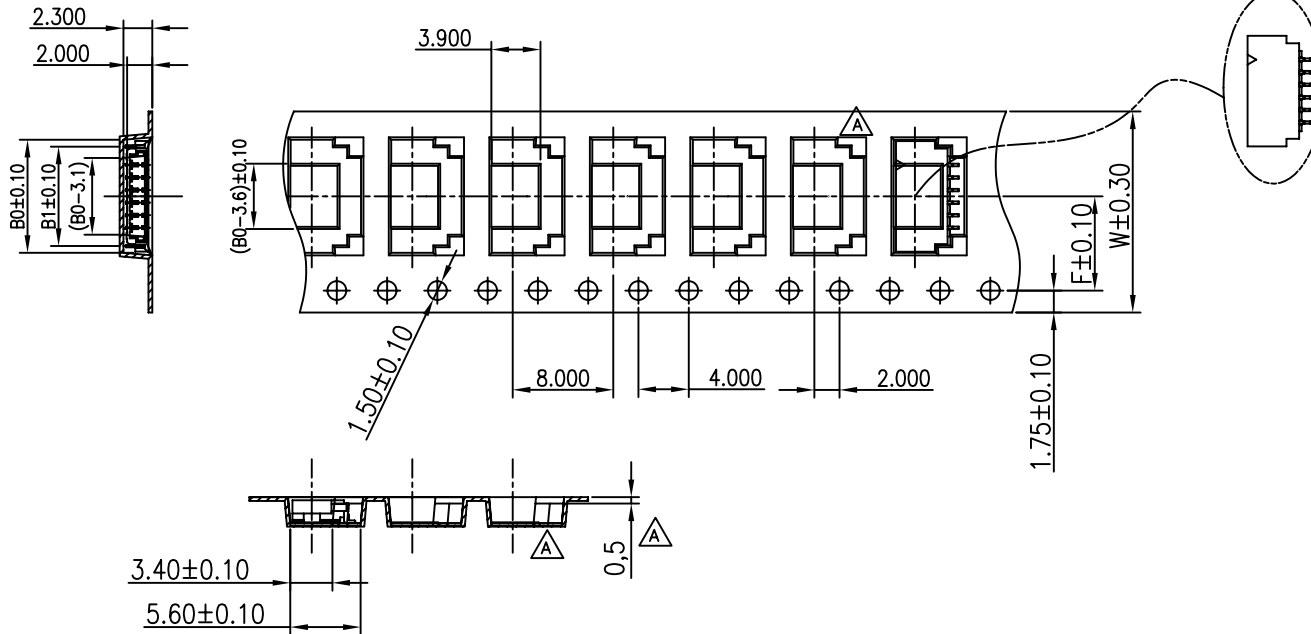
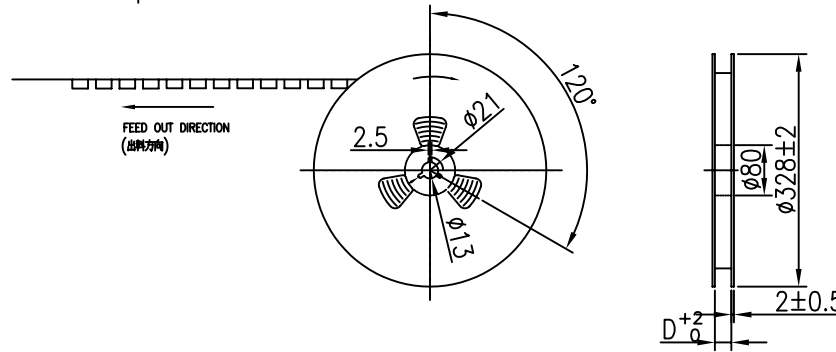
煜倫股份有限公司

www.morethanall.com

DESCRIPTION: 1.0mm pitch WTB Wafer SMT R/A S/R TYPE



- NOTES:
1. 10 SPROCKET HOLE PITCH CUMULATIVE TOLERANCE: ±0.20mm
 2. CARRIER CAMBER NOT TO EXCEED 1mm IN 250mm.
 3. ALL DIMENSIONS MEET EIA-481-3 REQUIREMENTS.
 4. MATERIAL: BLACK ANTI-STATIC POLYSTYRENE.
 5. THICKNESS: 0.3 ± 0.05 mm.
 6. COMPONENT LOAD PER 40° REEL : 3500 PCS.



| CKT | W | D | F | B | |
|-----|----|------|------|----|------|
| | | | | B0 | B1 |
| 2 | 12 | 12.4 | 5.5 | 5 | 3.9 |
| 3 | 16 | 16.4 | 7.5 | 6 | 4.9 |
| 4 | | | | 7 | 5.9 |
| 5 | | | | 8 | 6.9 |
| 6 | 24 | 24.4 | 11.5 | 9 | 7.9 |
| 7 | | | | 10 | 8.9 |
| 8 | | | | 11 | 9.9 |
| 9 | | | | 12 | 10.9 |
| 10 | | | | 13 | 11.9 |
| 11 | | | | 14 | 12.9 |
| 12 | 15 | 13.9 | | | |
| 13 | 16 | 14.9 | | | |

RoHS Compliant

TOLERANCES ARE

MORETHANALL
PCB CONNECTORS
Cable ASSEMBLIES

DRAWING BY CY

CHECKED BY GENIUS

UNIT / mm SCALE 1 : 1

DATE

SIZE A4

X, ±
.X ± 0.25
.XX ± 0.15
.XXX ± 0.10
ANG ±

PJECTION



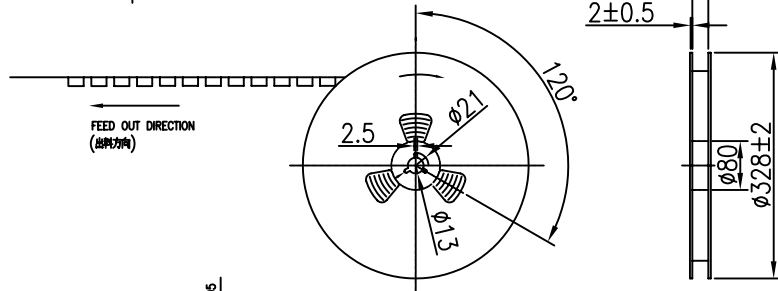
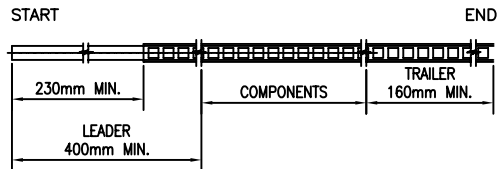
ORDER INFORMATION

SHL-WR-xx-LF
SERIES | T LEADFREE
| T 02~30WAY
REEL
90°SMT

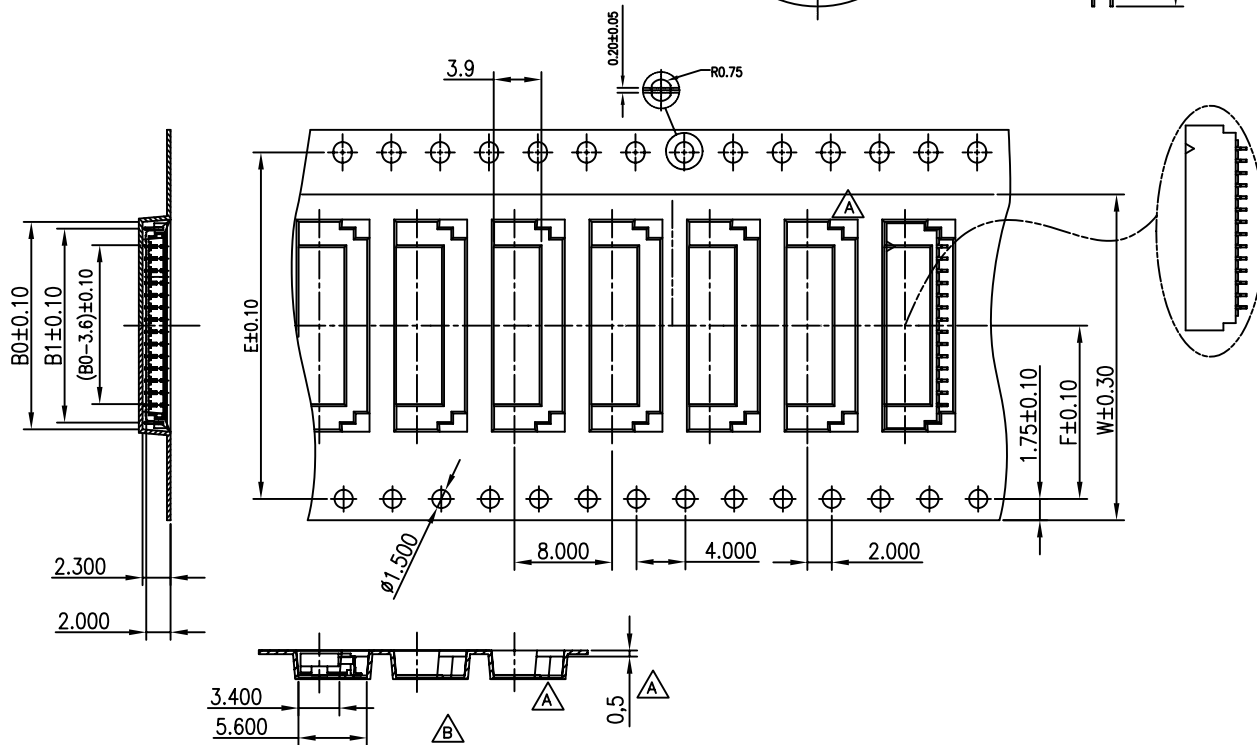
煜倫股份有限公司

www.morethanall.com

DESCRIPTION: 1.0mm pitch WTB Wafer SMT R/A S/R TYPE



- NOTES:
1. 10 SPROCKET HOLE PITCH CUMULATIVE TOLERANCE: $\pm 0.20\text{mm}$
 2. CARRIER CAMBER NOT TO EXCEED 1mm IN 250mm.
 3. ALL DIMENSIONS MEET EIA-481-3 REQUIREMENTS.
 4. MATERIAL: BLACK ANTI-STATIC POLYSTYRENE.
 5. THICKNESS: $0.3 \pm 0.05 \text{ mm}$.
 6. COMPONENT LOAD PER 40" REEL : 3500 PCS.



| CKT | W | D | E | F | B | |
|-----|----|------|------|------|----|------|
| | | | | | B0 | B1 |
| 14 | | | | | 17 | 15.9 |
| 15 | | | | | 18 | 16.9 |
| 16 | 32 | 32.4 | 28.4 | 14.2 | 19 | 17.9 |
| 17 | | | | | 20 | 18.9 |
| 18 | | | | | 21 | 19.9 |
| 19 | | | | | 22 | 20.9 |
| 20 | | | | | 23 | 21.9 |
| 21 | | | | | 24 | 22.9 |
| 22 | | | | | 25 | 23.9 |
| 23 | | | | | 26 | 24.9 |
| 24 | 44 | 44.4 | 40.4 | 20.2 | 27 | 25.9 |
| 25 | | | | | 28 | 26.9 |
| 26 | | | | | 29 | 27.9 |
| 27 | | | | | 30 | 28.9 |
| 28 | | | | | 31 | 29.9 |
| 29 | | | | | 32 | 30.9 |
| 30 | | | | | 33 | 31.9 |

RoHS Compliant

TOLERANCES ARE

MORETHANALL
PCB CONNECTORS
Cable ASSEMBLIES

DRAWING BY CY

CHECKED BY GENIUS

UNIT / mm

SCALE 1 : 1

DATE

SIZE A4

PJECTION

X, \pm
X ± 0.25
.XX ± 0.15
.XXX ± 0.10
ANG \pm



ORDER INFORMATION

SHL-WR-xx-LF
SERIES | LEADFREE
02~30WAY
REEL
90°SMT

煜倫股份有限公司

www.morethanall.com

DESCRIPTION: 1.0mm pitch WTB Wafer SMT R/A S/R TYPE