

SPECIFICATIONS

Voltage rating:300V AC,DC

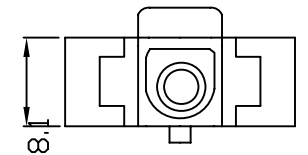
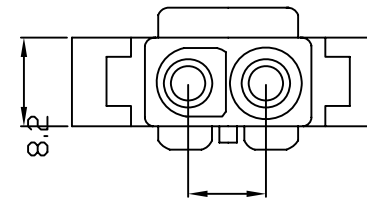
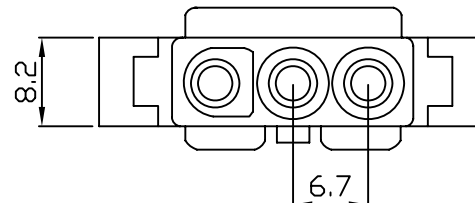
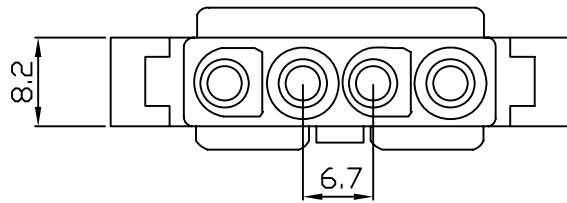
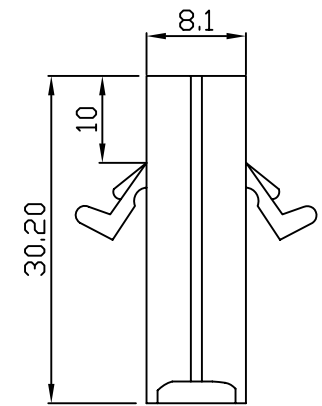
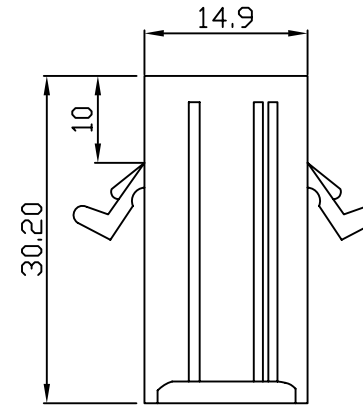
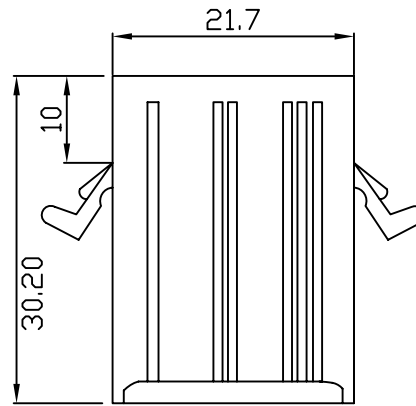
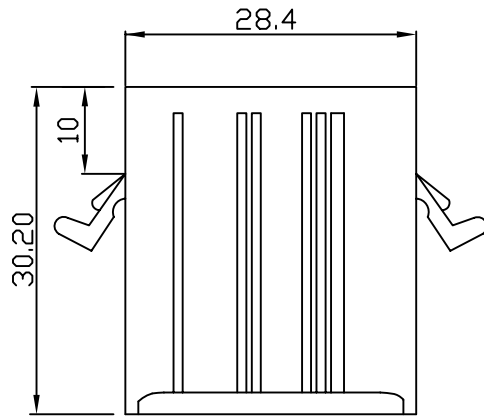
Current rating:12A,AC,DC

Withstanding voltage:1500V AC/minute

Insulation resistance:1000M ΩHM min

Temperature range:-25°C~+85°C

Material:UL94V-2 nylon 66



PWL-PE-1X04

PWL-PE-1X03

PWL-PE-1X02

PWL-PE-1X01

RoHS Compliant

TOLERANCES ARE

MORETHANALL
PCB CONNECTORS
Cable ASSEMBLIES

DRAWING BY CY

X, ±

CHECKED BY GENIUS

.X ±

UNIT / mm

SCALE 1 : 1

.XX ±

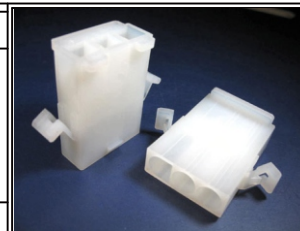
DATE

.XXX ±

ANG ±

SIZE A4

P PROJECTION



ORDER INFORMATION

PWL-PE-1Xxx-LF

SERIES

LEADFREE

1X01:01 WAY

1X04:04 WAY

EAR

MALE HOUSING

煜倫股份有限公司

www.morethanall.com

DESCRIPTION: