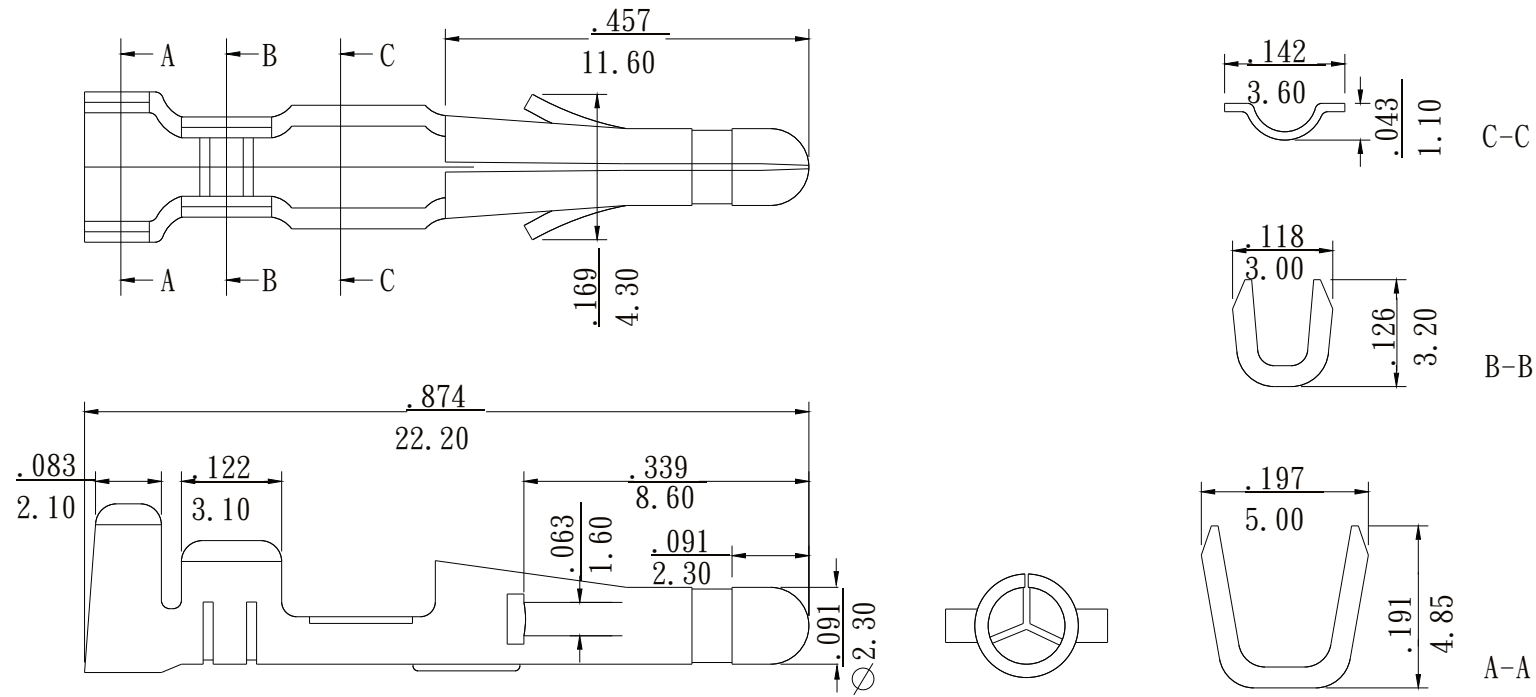


* Material : Brass



inch
mm

Part No.	Wire Range	Package
PWL-M-14	AWG#14-#20	4000PCS/REEL
PWL-M-20	AWG#20-#24	5000PCS/REEL

RoHS Compliant

TOLERANCES ARE

MORETHANALL
PCB CONNECTORS
Cable ASSEMBLIES

煜倫股份有限公司

www.morethanall.com

DRAWING BY CY

CHECKED BY GENIUS

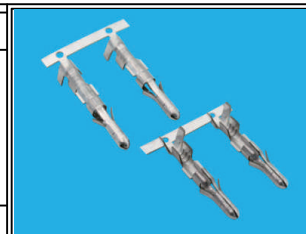
UNIT / mm SCALE 1:1

DATE

SIZE A4

PPOJECTION

X, ±
.X ±
.XX ±
.XXX ±
ANG ±



ORDER INFORMATION

PWL-M-xx-LF
SERIES | LEADFREE
14:14~20AWG
20:20~24AWG
MALE TERMINAL

DESCRIPTION: