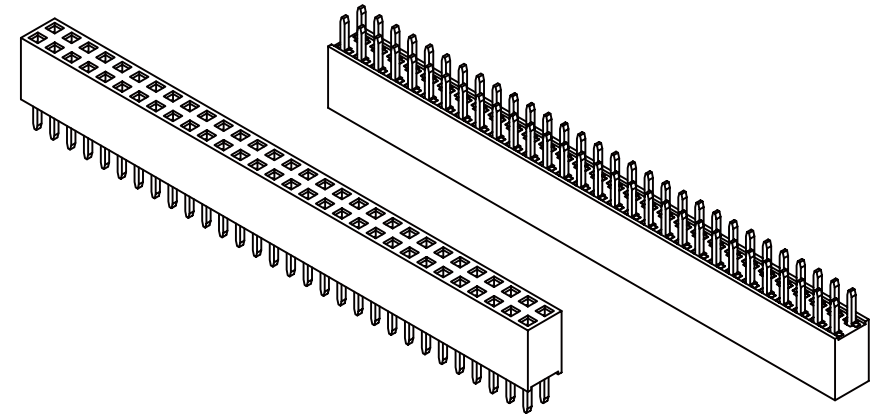
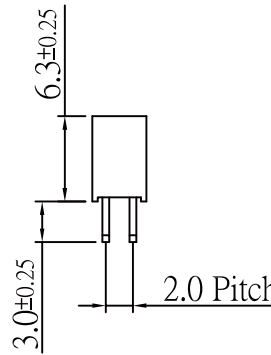
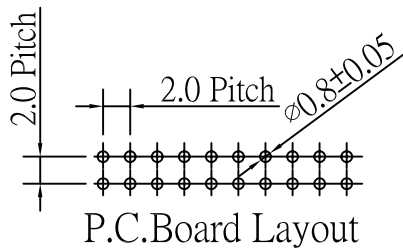


$A = 2.0 * (\text{NO of Positions Per Row} - 1) \pm 0.13$   
 $B = A + 2.0 \pm 0.25$



Conteract:  
 Contact: Brass.  
 Insuiator: PBT.  
 Finish: Gold flash plated over nickel.



**RoHS Compliant**

TOLERANCES ARE

**MORETHANALL**  
PCB CONNECTORS  
Cable ASSEMBLIES

DRAWING BY CY

CHECKED BY GENIUS

UNIT/ mm

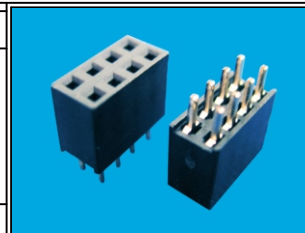
SCALE 1:1

DATE

SIZE A4

PJECTION

X. ±  
 .X ±  
 .XX ±  
 .XXX ±  
 ANG ±



**ORDER INFORMATION**

S-D63-2Xxx-LF  
 SERIES | LEADFREE  
 2X03:06WAY  
 2X40:80WAY  
 HIGH 6.3mm  
 DIP 180°

**煜倫股份有限公司**

[www.morethanall.com](http://www.morethanall.com)

DESCRIPTION: 2.0 Pitch Female Header Dual Row Straight