

MORETHANALL
PCB CONNECTORS
Cable ASSEMBLIES

煜倫股份有限公司

www.morethanall.com

RoHS Compliant

DRAWING BY CY
CHECKED BY GENIUS
UNIT / mm SCALE 1 : 1
DATE
SIZE A4

TOLERANCES ARE

X, ±
.X ±
.XX ±
.XXX ±
ANG ±

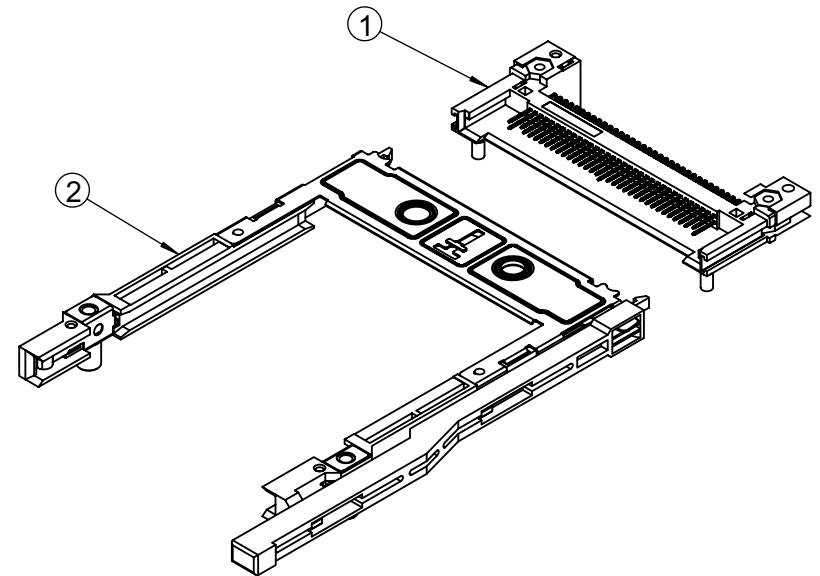
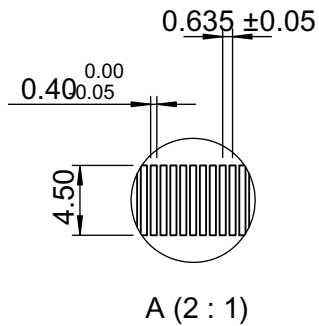
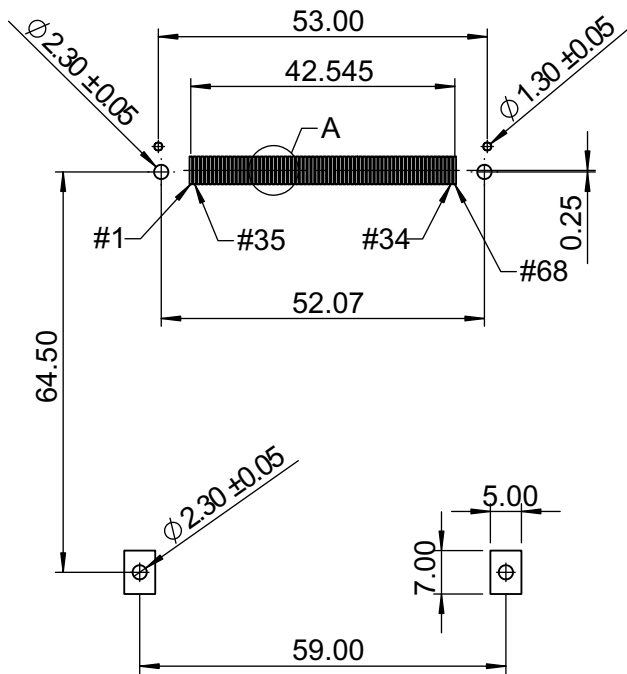
PPOJECTION



ORDER INFORMATION

PCC-PWL40V3RS9-68-LF
SERIES | | | | | LEADFREE
MALE | | | | | 68WAY
DIP 90° | | | | | RIGHT STRAIGHT
STANDOFF 4.0mm
LONG RAIL

DESCRIPTION: PCMCIA ASSEMBLY



PCB LAYOUT : COMPONENT SIDE

ITEM	NAME
1	HEADER
2	EJECTOR

RoHS Compliant

TOLERANCES ARE

MORETHANALL
PCB CONNECTORS
Cable ASSEMBLIES
煜倫股份有限公司

DRAWING BY CY

CHECKED BY GENIUS

UNIT / mm

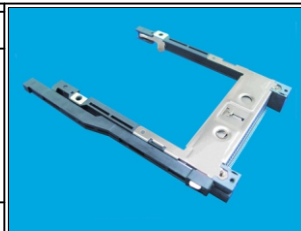
SCALE 1 : 1

DATE

SIZE A4

X, ±
.X ±
.XX ±
.XXX ±
ANG ±

P PROJECTION



ORDER INFORMATION

PCC-PWL40V3RS9-68-LF
SERIES | | | | | LEADFREE
MALE | | | | | 68WAY
DIP 90° | | | | | RIGHT STRAIGHT
3.0V
STANDOFF 4.0mm
LONG RAIL

DESCRIPTION: PCMCIA ASSEMBLY

www.morethanall.com