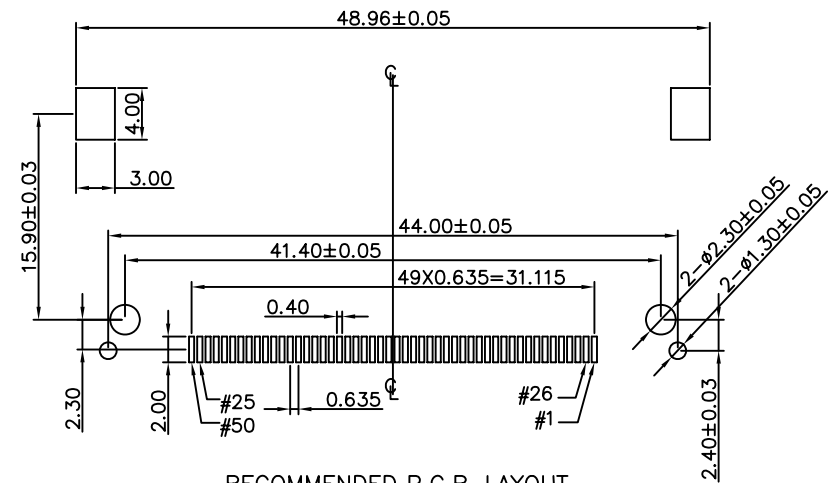
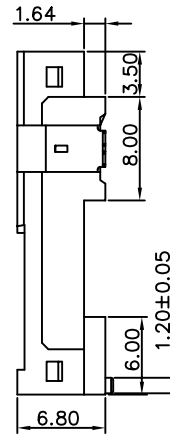
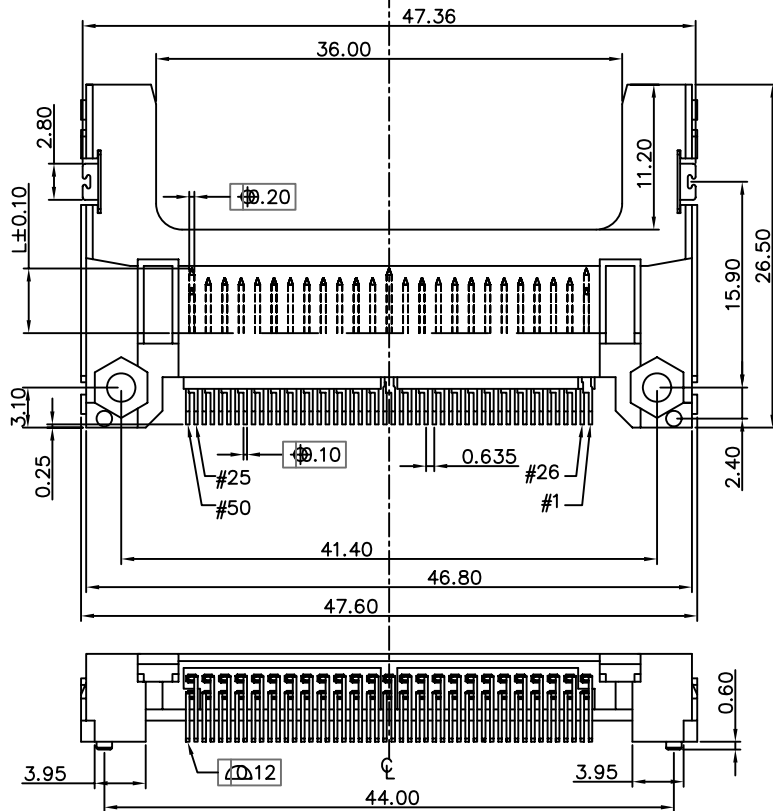


NOTES
 MATERIAL
 Insulator: Glass Reinforced LCP UL94V-0
 Contacts: Brass
 Mount ear: Brass;Tin/Lead plated overall
 CONTACT PLATING
 Contact area: Gold flash plating over 40u" Nickel
 Solder tail area:100u" Tin/Lead plating over 40u" Nickel



RECOMMENDED P.C.B. LAYOUT

POWER	5.00mm	1,13,38,50
GENERAL	4.25mm	all other pins
DETECT	3.50mm	25,26
Pin type	Interface Dim. L	Pin No.

RoHS Compliant

TOLERANCES ARE

MORETHANALL
 PCB CONNECTORS
 Cable ASSEMBLIES

DRAWING BY CY

X, ±
 .X ± 0.30

CHECKED BY GENIUS

.XX ± 0.20

UNIT / mm

SCALE 1 : 1

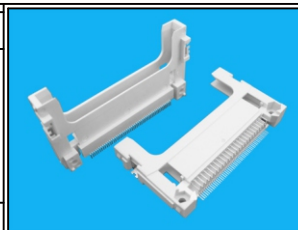
.XXX ±

ANG ±

DATE

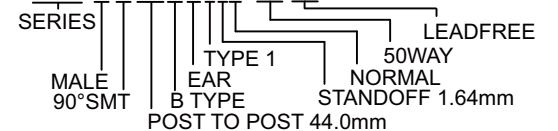
SIZE A4

PJECTION



ORDER INFORMATION

CFC-PW44BE111-50-LF



DESCRIPTION: CFA TYPE 1 (STAND OFF 1.64mm) SLOT HEADER(STANDARD)

煜倫股份有限公司

www.morethanall.com