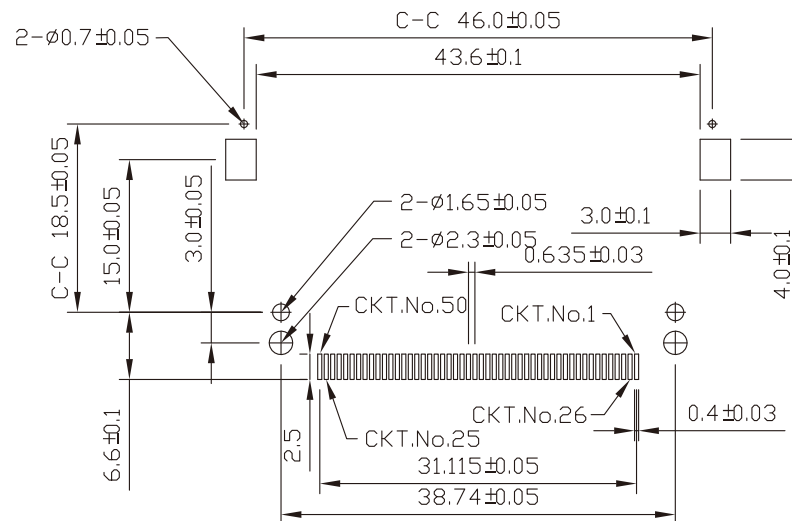


- NOTES:
- 1.MATERIAL:
 - 1.1 HOUSING:GLASS REINFORCED LCP UL94V-0
COLOR IVORY
 - 1.2 CONTACT:BRASS ALLOY
 - 1.3 MOUNT EAR:BRASS
 - 2.FINISH:
 - 2.1 CONTACT :GOLD PLATING ON CONTACT AREA,100u" TIN ON SOLDER TAIL,
WITH ENTIRE CONTACT 40u" NICKEL UNDER PLATED.
 - 2.2 MOUNT EAR:100u" TIN PLATED OVERALL



RECOMMENDED P.C.B LAYOUT

MORETHANALL
PCB CONNECTORS
Cable ASSEMBLIES

煜倫股份有限公司

www.morethanall.com

RoHS Compliant

DRAWING BY CY

CHECKED BY GENIUS

UNIT/ mm

SCALE 1:1

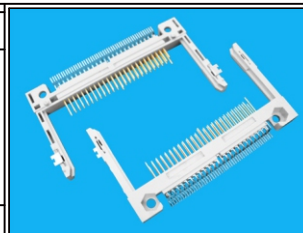
DATE

SIZE A4

PJECTION

TOLERANCES ARE

X. ±
.X ±
.XX ±
.XXX ±
ANG ±



ORDER INFORMATION

CFC-PW38CE001-50-LF
SERIES | | | | | LEADFREE
MALE | | | | | 50WAY
90°SMT | | | | | NORMAL
EAR
C TYPE
POST TO POST 38.74mm

DESCRIPTION: CF(Compact Flash)STD H:4.0mm ,Post Range 38.74mm