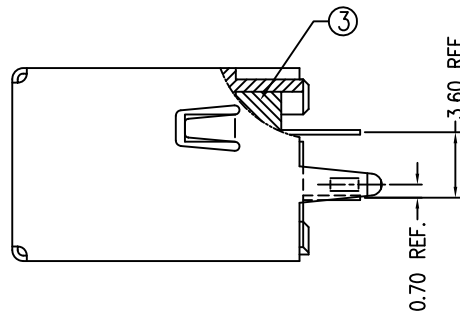
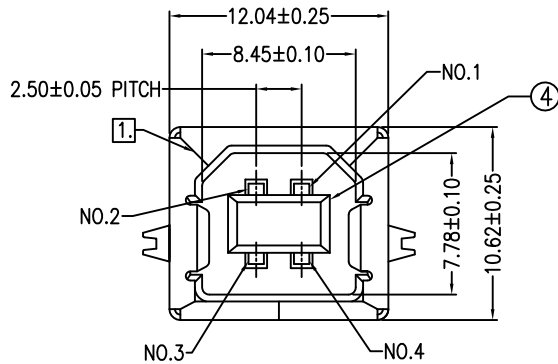


RECOMMENDED PCB LAYOUT
COMPONENT SIDE



ITEM	DESC.	MATERIAL	REMARKS
4	HOUSING	THERMOPLASTIC	30%G.F.,UL94V-0 COLOR: SEE NOTE
3	STOPPER	THERMOPLASTIC	30%G.F.,UL94V-0 COLOR: SEE NOTE
2	SHELL	COPPER ALLOY(t=0.30mm)	OVER-PLATING: Ni 40u"
1	TERMINAL	COPPER ALLOY(t=0.25)	CONTACT AREA: SEE NOTE UNDER-PLTING: Ni 50u" SOLDER AREA: Sn 100u"

RoHS Compliant

TOLERANCES ARE

MORETHANALL
PCB CONNECTORS
Cable ASSEMBLIES

DRAWING BY CY

CHECKED BY GENIUS

UNIT / mm

SCALE 1 : 1

DATE

SIZE A4

X, ±
.X ±
.XX ±
.XXX ±
ANG ±

PPOJECTION



ORDER INFORMATION

USB-SDR36BK-4B-LF
SERIES | | | LEADFREE
4 PIN B TYPE
BLACK
ROW 3.6mm
DIP 180°
FEMALE

煜倫股份有限公司

www.morethanall.com

DESCRIPTION: