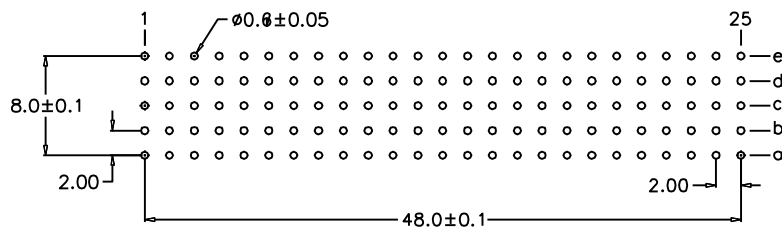
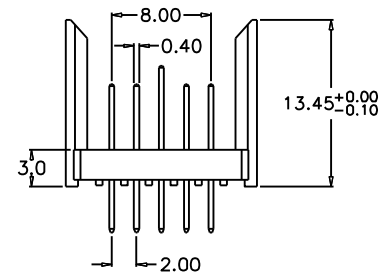
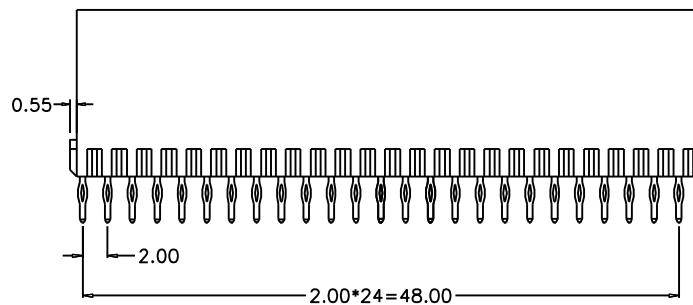
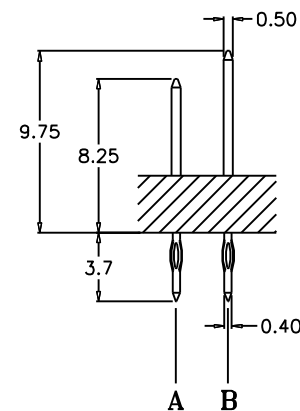


CONTACT LAYOUT



P.C. Board Layout  
(Top View)



RoHS Compliant

TOLERANCES ARE

**MORETHANALL**  
PCB CONNECTORS  
Cable ASSEMBLIES

DRAWING BY CY

X, ±

CHECKED BY GENIUS

.X ±

UNIT / mm

SCALE 1 : 1

.XX ±

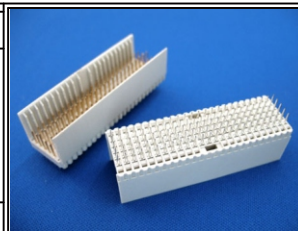
DATE

.XXX ±

ANG ±

SIZE A4

P PROJECTION



ORDER INFORMATION

HM7AB-PP03AB-125-LF

SERIES

LEADFREE  
125 WAY  
AB TYPE  
3.7mm  
PRESS FIT  
MALE

煜倫股份有限公司

www.morethanall.com

DESCRIPTION: 2.00 Hard Metric Connectors Male