

PIN OUT

P1		P2
1	RED	5
2	WHITE	4
3	GREEN	3
5	BLACK	2
SHELL	DRAIN	1

**MORETHANALL**  
PCB CONNECTORS  
Cable ASSEMBLIES  
煜倫股份有限公司

www.morethanall.com

RoHS Compliant

DRAWING BY CY  
CHECKED BY GENIUS  
UNIT / mm SCALE 1 : 1  
DATE  
SIZE A4

TOLERANCES ARE

X. ±  
.X ±  
.XX ±  
.XXX ±  
ANG ±

PPOJECTION



ORDER INFORMATION

PHWPMB-055B2628JT-F13C-LF

SERIES

|

|

|

|

|

|

|

|

|

|

|

|

|

|

|

|

|

|

|

|

|

|

|

|

|

|

|

DESCRIPTION: MINI USB B FEMALE

\*\*\*CONSTRUCTION:

1.WIRE:

\* UL2725 (1P/28#)+(2C/26#)+AEB65% OD:4.2mm BLACK JACKET.

\*\*\*CONNECTORS:

2.MINI USB B:

CABLE OPERATING TEMPERATURE RANGE: -40°C~105°C.

\* MINI USB B FEMALE SOLDER TYPE .

\* PINS: PHOSPHOR BRONZE WITH GOLD PLATED

\* INSULATOR: THERMOPLASTIC COLOR:BLACK.

\* SHELL: STEEL WITH NICKETL PLATED.

\* HEX NUT: THERMOPLASTIC COLOR:BLACK

\* GASKET: SILICONE COLOR:BLACK

\* PCB: FR-4

\* GLUE: EPOXY COLOR:BLACK

CONNECTOR OPERATING TEMPERATURE RANGE: -40°C~80°C.

3.HOUSING:

\* PITCH 2.0MM 5PIN HOUSING, JST:PHR-5 WHITE NYLON66 UL94V-0 RATED.

4.TERMINAL:

\* JST: SPH-002T-P0.5S PHOSPHOR BRONZE TIN PLATED.

5.TUBE:

\* SHRINK TUBE BLACK  $\varnothing$ 4.0mm  $\varnothing$ 0.8mm.

6.TEST:

\* CT: 2 Ohm. IS: 5M Ohm.

7.PACKING:

\* PACK EACH CABLE IN A POLY BAG.

8.MATERIAL:

\* MATERIAL WITH RoHS GRADE.

RoHS Compliant

TOLERANCES ARE

**MORETHANALL**  
PCB CONNECTORS  
Cable ASSEMBLIES  
煜倫股份有限公司

DRAWING BY CY

CHECKED BY GENIUS

UNIT / mm

SCALE 1 : 1

DATE

SIZE A4

X.  $\pm$   
.X  $\pm$   
.XX  $\pm$   
.XXX  $\pm$   
ANG  $\pm$

PPOJECTION 



ORDER INFORMATION

PHWPMB-055B2628JT-F13C-LF

SERIES

LEADFREE

130mm

FEMALE TO FEMALE

JST

26/28 AWG

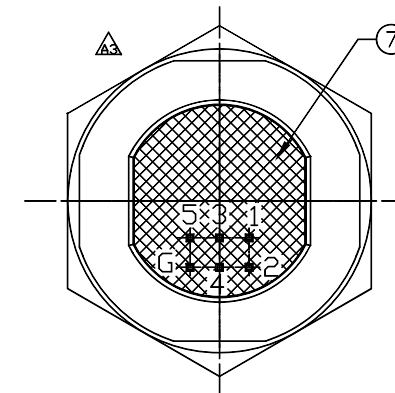
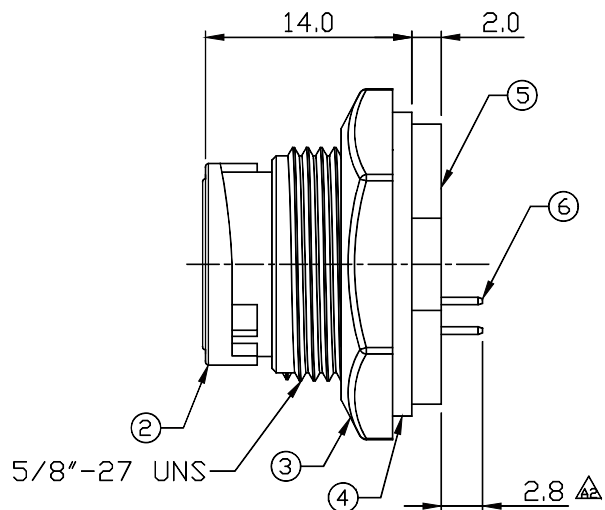
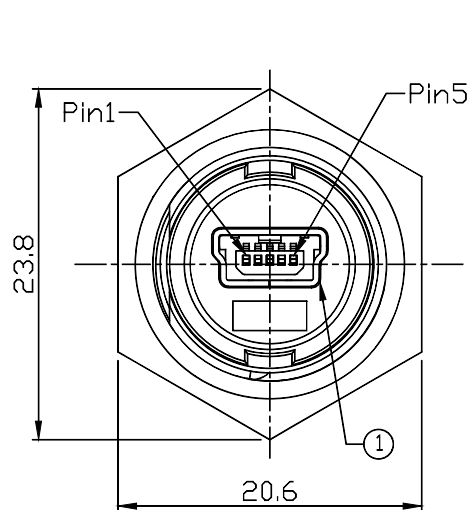
05 TO 05B TYPE

www.morethanall.com

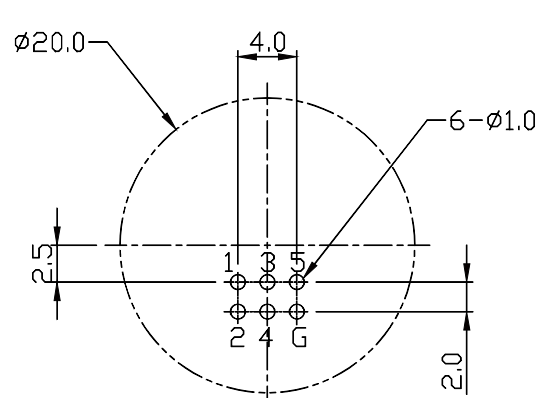
DESCRIPTION: MINI USB B FEMALE

⚠ Notes: (Unless Otherwise Specified)

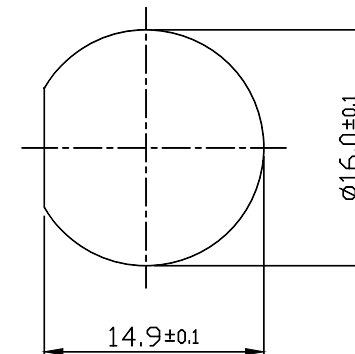
1. Waterproof Rate: IP67.
2. Recommend Panel Thickness: 0.8 to 3.0 mm.
3. Recommend Torque: 9~10 Kgf-cm.



7	Glue	Epoxy Color: Black	
6	Pin Header	Housing: Thermal Plastic, Color: Black	1
		Contacts: Copper Alloy, Finish: Au Plated	
5	PCB	FR-4 Color: Green	1
4	Gasket	Silicone Color: Black	1
3	Hex Nut	Thermal Plastic Color: Black	1
2	Housing	Thermal Plastic Color: Black	1
1	Mini USB-B Receptacle	Housing: Thermal Plastic, Color: Black	1
		Contacts: Copper Alloy, Finish: Au Plated	
		Shell: Copper Alloy, Finish: Ni Plated	
Item	Part Name	Material / Finish	Qty



Recommend PCB Layout



Recommend Panel Cut-Out

RoHS Compliant

TOLERANCES ARE

**MORETHANALL**  
PCB CONNECTORS  
Cable ASSEMBLIES  
**煜倫股份有限公司**

DRAWING BY CY

CHECKED BY GENIUS

UNIT / mm

SCALE 1 : 1

DATE

SIZE A4

PPOJECTION

X, ±  
.X ± 0.50  
.XX ± 0.20  
.XXX ± 0.05  
ANG ± 1°

照片框

ORDER INFORMATION

PHWPMB-055B2628JT-F13C-LF

SERIES

LEADFREE

130mm

FEMALE TO FEMALE

JST

26/28 AWG

05 TO 05B TYPE

DESCRIPTION: MINI USB B FEMALE

www.morethanall.com

## PRODUCT SPECIFICATIONS

<b>Product Series</b>	<b>Mini USB-B (Plastic) Series</b>
Current Rating	1.0A
AWG Gauge	22 AWG ~ 28 AWG
Panel Temperature Range	-40°C / +105°C
Cable Temperature Range	-40°C / +80°C
IP Rating	IP 67
<b>Material</b>	
Panel Housing	PA66
Mini USB Receptacle Housing	PBT
Mini USB Receptacle Contacts	Copper Alloy, Au Plating
Mini USB Receptacle Shell	Copper Alloy, Ni Plating
Panel Gasket	Silicone
Panel Hex Nut	PA66
Glue	Epoxy
Cable End Lock/Screw Nut	PA66
Mini USB Plug Housing	PBT
Mini USB Plug contacts	Copper Alloy, Au Plating
Mini USB Plug Shell	Copper Alloy, Ni Plating
Cable End Rubber Pad	Silicone
Inner Mold/ Over Mold	PVC
<b>Technical Data</b>	
<b>Characteristics</b>	<b>Description</b>
Visual and Dimensional Inspection	Must meet or exceed the requirements specified by the most current version of the Mini USB Specification.
Insulation Resistance	DC500V±10%, test for 1 minute and the insulation resistance should be more than 100MΩ
Dielectric Withstanding Voltage	100 V DC/AC peak, contact-to-contact, for 1 minute. 150 V DC/AC peak, contact-to-test panel or contact-to-shield for 1 minute.
Contact Resistance	50mΩ at 10mA Max.
Insertion and withdrawal forces	Speed: 10 mm/s maximum. Insertion force 35 N maximum Withdrawal force 7N(initial), 3N after(5,000 cycles)minimum.
Durability	Cycling Rate: maximum rate of 200 cycles per hour Mechanism 5000 cycle.
Cable Pull-Out	After the application of a steady state axial load of 40 N for one minute.

Cable Flexing	A traverse 180° in one direction plus 180° in the opposite direction shall be called one cycle, the cycling rate shall be 12 to 14 cycles per minute. After completion of 100 cycles, test withstanding voltage and insulation resistance
Physical Shock	No discontinuities of 1 μs or longer duration when mated Mini USB connectors are subjected to 11 ms duration 30 Gs half-sine shock pulses. Three shocks in each direction applied along three mutually perpendicular planes for a total of 18 shocks.
Random Vibration	The electrical load conditions shall be 100mA maximum for all contacts. Frequency: 50 to 2000 Hz PDS: 0.04 g <sup>2</sup> /Hz. Duration: 1 Hour/Axis, 3 Axes Total. g's: 7.56 g rms
Thermal Shock	5 cycles at -40°C / +105°C, after the test, the function and appearance can't be impacted.
Humidity Life	96 hours minimum (seven step cycles).
Salt Spray	The test liquid (NaCl) thickness is 5%, Compressing the air pressure is 0.083Mpa, Spraying amount is 1~2 ml/80cm/h, Temperature of the pressure barrel is 43°C, LAB temperature is 35°C, relative humidity of LAB is 95%~98%, test time is 48 hours, after the test, check if there is rusty and oxidized phenomenon
Waterproof Test	Submersion in water 1 meter for 30 minutes.
Temperature Life	85°C for 48 hours Method A , Mated
Cycling Humidity	4 cycles at 25°C / +85°C 95%RH (1 cycles/day)
UV Exposure	24 H equal 1 year: 8 h UV at 70 (±3) °C Black Panel Temperature 4 h Condensation at 50 (±3) °C Black Panel Temperature

RoHS Compliant

TOLERANCES ARE

**MORETHANALL**  
PCB CONNECTORS  
Cable ASSEMBLIES

煜倫股份有限公司

www.morethanall.com

DRAWING BY CY

CHECKED BY GENIUS

UNIT / mm

SCALE 1 : 1

DATE

SIZE A4

X, ±  
.X ± 0.50  
.XX ± 0.20  
.XXX ± 0.05  
ANG ± 1°

PPOJECTION 

照片框

ORDER INFORMATION

PHWPMB-055B2628JT-F13C-LF

SERIES

LEADFREE

130mm

FEMALE TO FEMALE

JST

26/28 AWG

05 TO 05B TYPE

DESCRIPTION: MINI USB B FEMALE TO JST:PHR-5