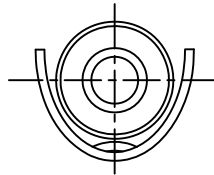
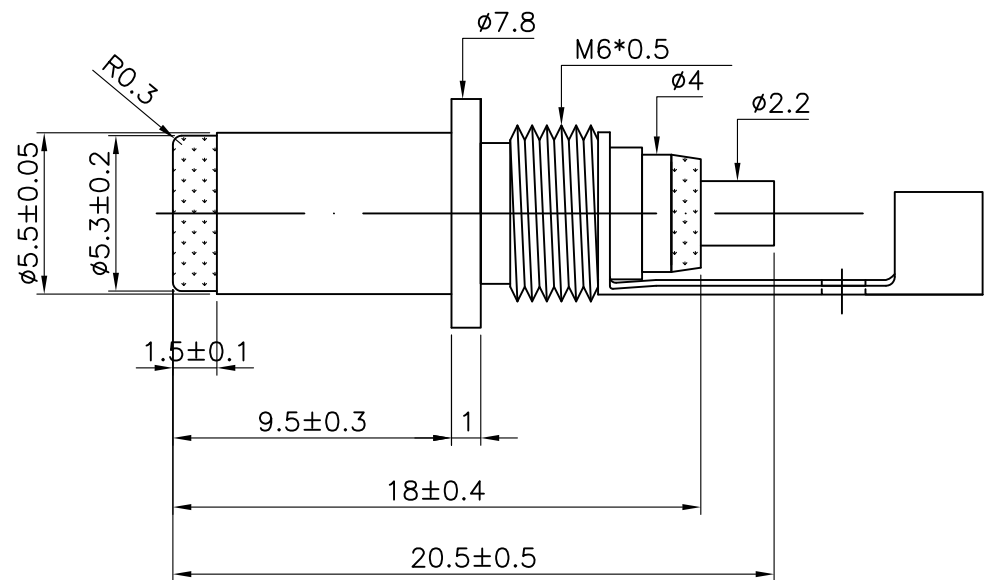
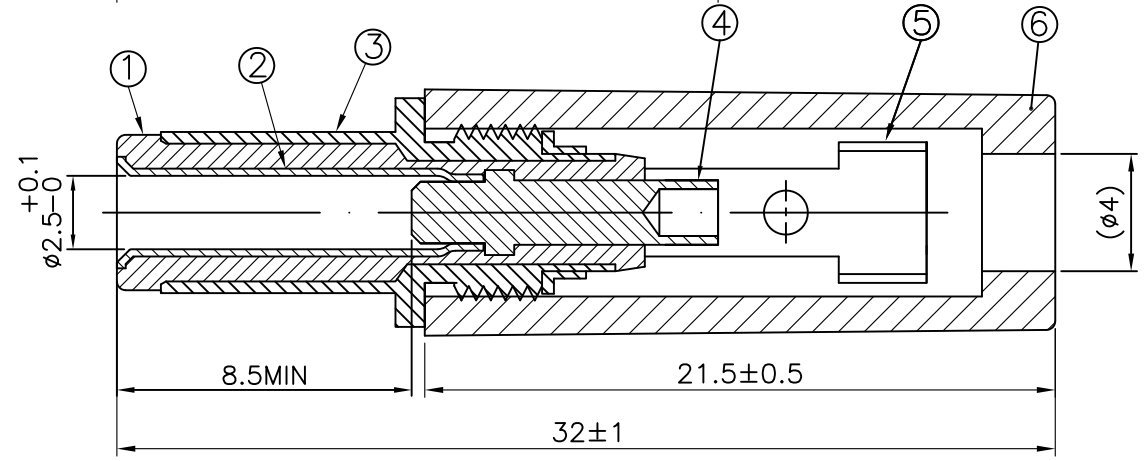


一般公差	
尺寸區分	公差
0>1.0	±0.1
1.0>6.0	±0.2
6.0>12.0	±0.3
12.0>25.0	±0.4
25.0>	±0.5



1. DIELECTRIC STRENGTH: AC 500V AT 1 MINUTE.
2. INSULATION RESISTANCE: DC 500V/100M OHMS MIN.
3. RATED VOLTAGE: 24V DC.
4. RATED CURRENT: 5A.



6	ABS BLACK
5	BRASS NICKEL
4	BRASS NICKEL
3	BRASS NICKEL
2	BRASS NICKEL
1	POM BLACK
NO	CONTENT

RoHS Compliant

TOLERANCES ARE



DRAWING BY CY

CHECKED BY GENIUS

UNIT / mm SCALE 1 : 1

DATE

SIZE A4

X, ±
.X ±
.XX ±
.XXX ±
ANG ±

P PROJECTION



ORDER INFORMATION

DCP-A-5525SC9-LF
 SERIES | LEADFREE
 CONTACT 9.5mm
 SHORT
 ID: 2.5Ø
 OD: 5.5Ø
 ASSEMBLY

DESCRIPTION: DC PLUG 5.5X2.5 (Asby Type)

煜倫股份有限公司

www.morethanall.com