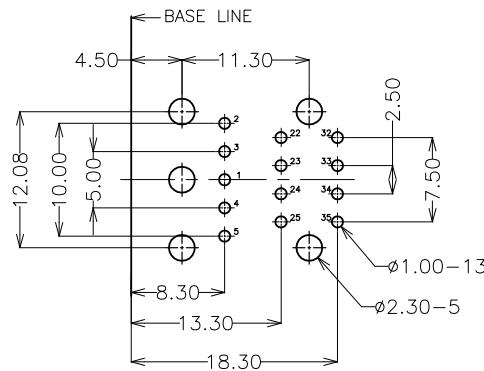
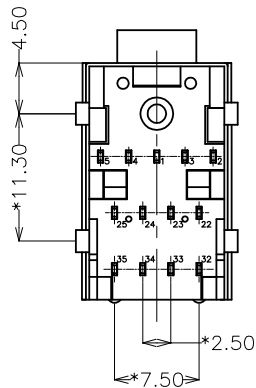


**MATERIALS**  
 1.HOUSING : PBT+30% G.F(UL-94V-0).  
 COVER:LCP UL94V-0;  
 2.TERMINAL : COPPER ALLOY.GOLD PLATED  
 DN CONTACT, TIN PLATED ON TAIL;  
 3.FRONT SHELL : SUS430 T=0.30MM, NICKEL PLATED  
 生產工藝:先電鍍後沖壓;  
 4.BACK SHELL : SPCC, T=0.30mm,NICKEL PLATED;  
**SPECIFICATION**  
 1.CURRENT RATING : 1.0 AMP. MAX.  
 2.DIELECTRIC WITHSTANDING VOLTAGE :  
 500V AC R.M.S. FOR ONE MINUTE.  
 3.INSULATION RESISTANCE : 100M OHMS MIN. AT 500V DC.  
 4.CONTACT RESISTANCE : 50m OHMS MAX.  
 5.OPERATING TEMPERATURE : -25°C TO +85°C.  
 6.DURABILITY : 5000 CYCLES.  
 7.MATING FORCE : 5kgs MAX  
 8.UNMATING FORCE :0.4~3.0kgs  
 9.MAX PROCESSING TEMPERATURE :  
 230°C FOR 30~60 SECONDS. (HI.-TEMP. PLASTIC)  
 \* \* 標示是重點管控尺寸



P.C.B. LAYOUT(TOLERANCE±0.05)  
 BOTTOM VIEW

PART NO	MATERIAL			SUS430	SPCC
	A	B	C	FRONT SHIELD	BACK SHIELD
PJC1-RYKA-13	YELLOW	BLACK	AQUA(GREEN)	NICKEL PLATED	
PJC1-RBAP-13	BLUE	AQUA(GREEN)	PINK	NICKEL PLATED	
PJC1-RPBA-13	PINK	BLUE	AQUA(GREEN)	NICKEL PLATED	
PJC1-RPGB-13	PINK	GREEN	BLUE	NICKEL PLATED	
PJC1-RPBG-13	PINK	BLUE	GREEN	NICKEL PLATED	
PJC1-RBGP-13	BLUE	GREEN	PINK	NICKEL PLATED	
PJC1-RBAG-13	BLUE	AQUA(GREEN)	PINK	NICKEL PLATED	
PJC1-RYKG-13	YELLOW	BLACK	GREEN	NICKEL PLATED	
PJC1-RPBG-13	PINK	BLUE	GREEN	NICKEL PLATED	

RoHS Compliant

TOLERANCES ARE

**MORETHANALL**  
 PCB CONNECTORS  
 Cable ASSEMBLIES

DRAWING BY CY

CHECKED BY GENIUS

UNIT / mm SCALE 1 : 1

DATE

SIZE A4 PPROJECTION

X, ±  
 .X ± 0.38  
 .XX ± 0.25  
 .XXX ± 0.15  
 ANG ± 2°



ORDER INFORMATION

PJC1-Rxxx-13-LF  
 SERIES | LEADFREE  
 13 WAY  
 PART NO  
 DIP 90°

DESCRIPTION: 三層JACK插孔3.5mm 前鐵殼SUS430先鍍後沖 後鐵殼SPCC 鍍鍍RoHS

煜倫股份有限公司

www.morethanall.com