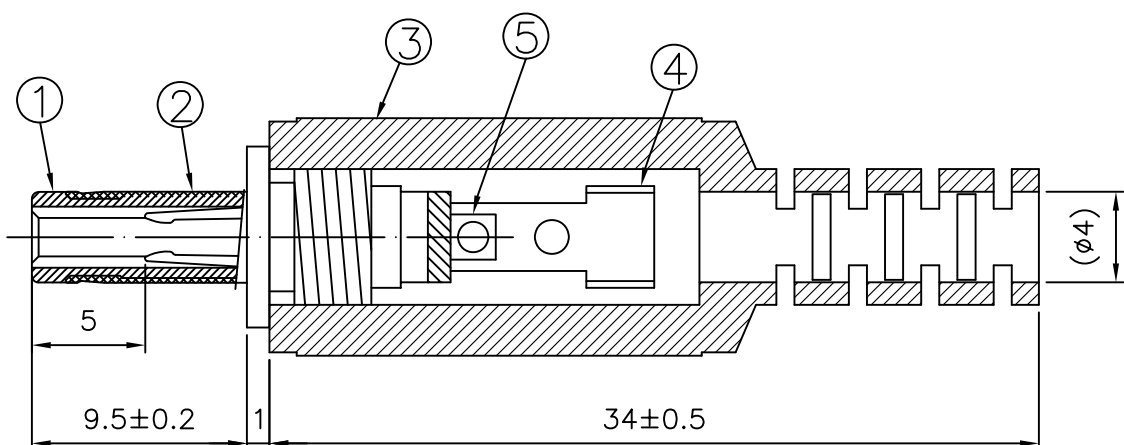
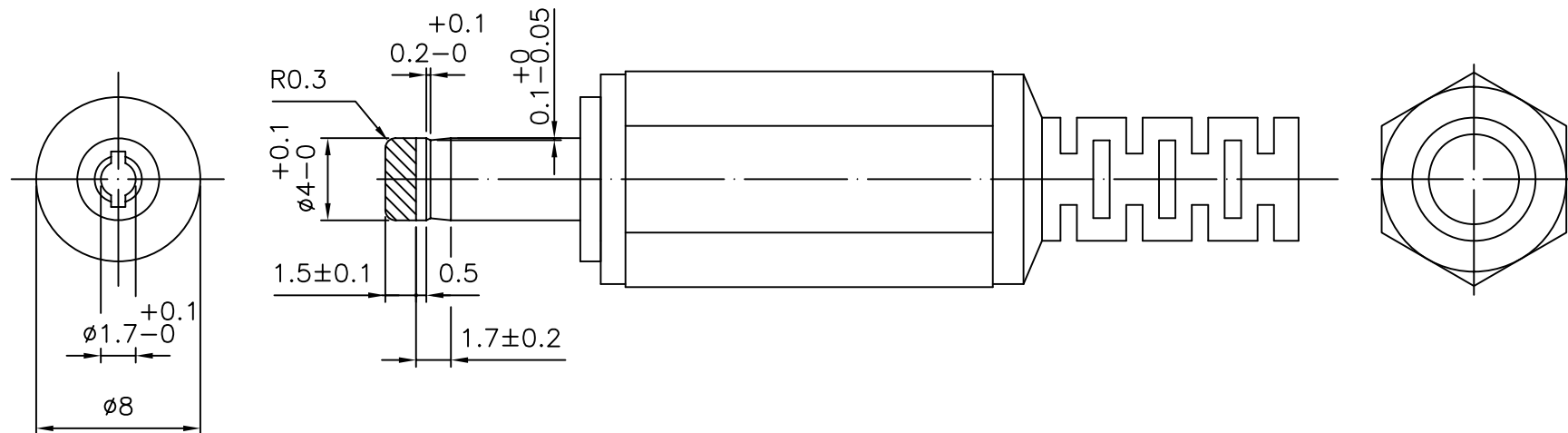


一般公差	
尺寸區分	公差
0>1.0	±0.1
1.0>6.0	±0.2
6.0>12.0	±0.3
12.0>25.0	±0.4
25.0>	±0.5



5	P-BRONZE NICKEL
4	BRASS NICKEL
3	TPR BLACK
2	BRASS NICKEL
1	POM YELLOW
NO	CONTENT

- NOTES:
1. DIELECTRIC STRENGTH : AC 500 V at 1MIN.
 2. INSULATION RESISTANCE : DC 500 V / 100 MΩ MIN
 3. RATED VOLTAGE: 24 V DC.
 4. RATED CURRENT: 2.5 A.

RoHS Compliant

TOLERANCES ARE



DRAWING BY CY

X.±

CHECKED BY GENIUS

.X±

UNIT / mm

SCALE 1:1

.XX±

DATE

.XXX±

SIZE A4

PPOJECTION

ANG±



ORDER INFORMATION

DCP-A-4017-LF
 SERIES | LEADFREE
 ID:1.7Ø
 OD:4.0Ø
 ASSEMBLY

煜倫股份有限公司

www.morethanall.com

DESCRIPTION: DC PLUG φ4.0*φ1.7*9.5L (ASSEMBLY TYPE)