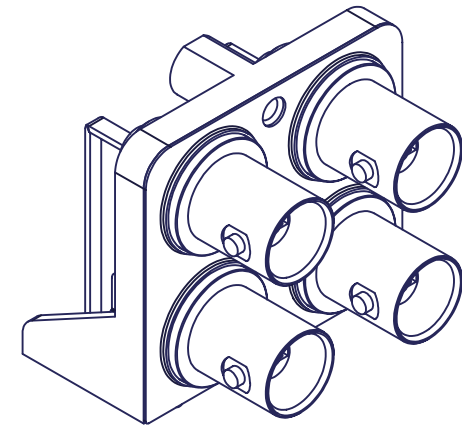
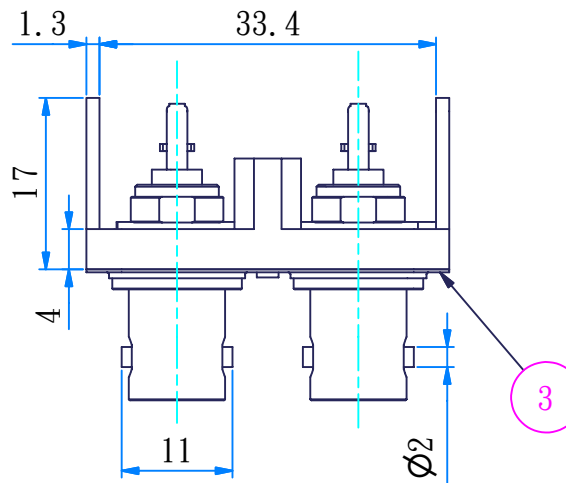


P.C.B LAYOUT



NO	DESCRIPTION	MATERIAL	FINISH	QTY	DRAWING NO
8	STEEL WIRE-04	BRASS	NICKEL	2	
7	STEEL WIRE-03	BRASS	NICKEL	2	
6	STEEL WIRE-02	BRASS	NICKEL	2	
5	INSULATOR	POM	WHITE	4	
4	STEEL WIRE-01	BRASS	NICKEL	2	
3	MOUNT	BRASS	NICKEL	1	
2	BODY	ZINC ALLOY	NICKEL	4	
1	BRACKET	ABS	BLACK	1	

RoHS Compliant

TOLERANCES ARE

X, ±
X, ±
.XX ±
.XXX ±
ANG ±

DRAWING BY CY

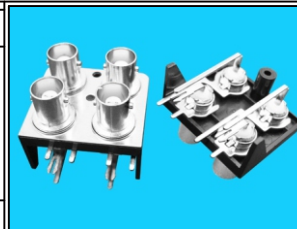
CHECKED BY GENIUS

UNIT / mm SCALE 1 : 1

DATE

SIZE A4

PPOJECTION



ORDER INFORMATION

BNCB2-JRE2-50-LF

SERIES | LEADFREE
50 OHM
EAR
DIP 90°
JACK

MORETHANALL
PCB CONNECTORS
Cable ASSEMBLIES

煜倫股份有限公司

www.morethanall.com

DESCRIPTION: