

SCALE 4:1  
RECOMMENDED PCB LAYOUT

**1.0 ELECTRICAL**

- 1.1 FREQUENCY RANGE: DC-3 GHz INTERNAL  
-8.5 GHz EXTERNAL
- 1.2 NOMINAL IMPEDANCE: 50 OHMS
- 1.3 WORKING VOLTAGE: 170 VOLTS MAX.
- 1.4 PROOF VOLTAGE: 500 VOLTS
- 1.5 VSWR: 1.5 MAX.

**2.0 MATERIALS**

- 2.1 BODIES: BRASS PER JIS-C3604
- 2.2 CENTER CONTACT: BERYLLIUM COPPER PER ASTM B196 UNS C17300
- 2.3 INSULATION: TEFLON PER ASTM D1457 AND ASTM D1710

**3.0 FINISHES AND OTHERS**

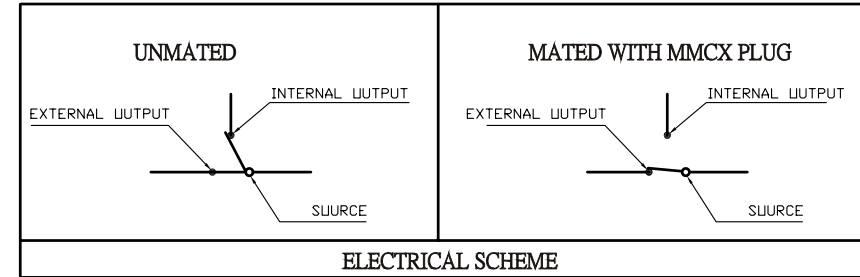
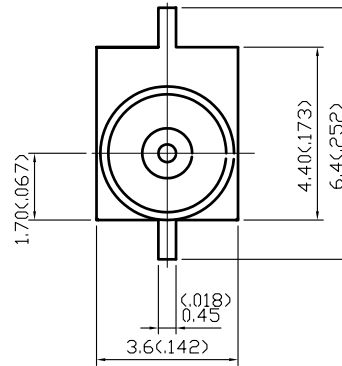
- 3.1 SEE BELOW TABLE FOR DETAILS.

**4.0 MECHANICAL**

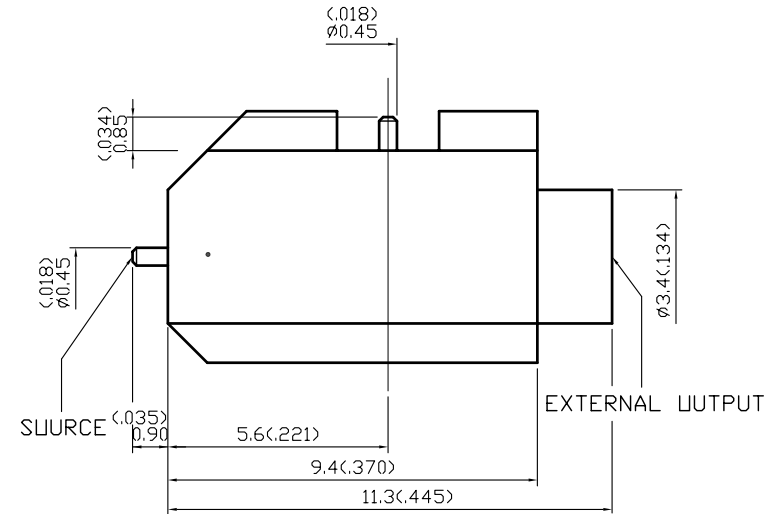
- 4.1 INTERFACE IN ACCORDANCE WITH: CECC 22000

**5.0 ENVIRONMENTAL**

- 5.1 OPERATING TEMPERATURE RANGE: -65° C TO +165° C



INTERNAL OUTPUT



NO	DESCRIPTION	MATERIAL	Q' TY	FINISH
8	BODY	BRASS	1	GOLD 3μ" MIN.
7	INSULATION III	TEFLON	1	NONE
6	INSULATION II	TEFLON	1	NONE
5	CENTER CONTACT III	BRASS	1	GOLD 3μ" MIN.
4	CENTER CONTACT II	BRASS	1	GOLD 30μ" MIN.
3	SPRING	STAINLESS STEEL	1	GOLD 3μ" MIN.
2	CENTER CONTACT I	BRASS	1	GOLD 3μ" MIN.
1	INSULATION I	TEFLON	1	NONE
NO	DESCRIPTION	MATERIAL	Q' TY	FINISH

**RoHS Compliant**

TOLERANCES ARE

**MORETHANALL**  
PCB CONNECTORS  
Cable ASSEMBLIES

DRAWING BY CY

CHECKED BY GENIUS

UNIT / mm

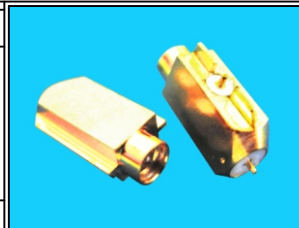
SCALE 1 : 1

DATE

SIZE A4

PPOJECTION

X, ±  
.X ±  
.XX ±  
.XXX ±  
ANG ±



**ORDER INFORMATION**

**MMCX-JWSW-50-LF**

SERIES | | | LEADFREE  
50 OHM  
SWITCH  
90°SMT  
JACK

**煜倫股份有限公司**

[www.morethanall.com](http://www.morethanall.com)

DESCRIPTION: MMCX JACK SWITCH EDGE-CARD RECEPTACLE