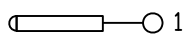
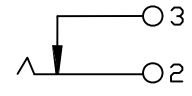


T:1.6 Dimensions of PC board holes
Tolerance : ±0.1(Printed-top view)

SCHEMATIC	A	∅2.0	 1
	B	∅2.5	 2

UNLESS OTHERWISE SPECIFIED, TOLERANCE ON DECIMAL: ±0.3

6	COVER	1	PF	
5	CONTACT FOOT	1	C2680	MB:Cu Cu/Sn PLATED
4	PIN	1	C2680	MB:Cu Ni PLATED
3	SPRING	1	65Mn STEEL	MB:Cu Cu/Sn PLATED
2	FLAT PIECE	1	C2680	MB:Cu Cu/Sn PLATED
1	HOUSING	1	PBT	
LTR	PART NAME	QTY	MATERIAL	REMARK

RoHS Compliant

TOLERANCES ARE



煜倫股份有限公司

www.morethanall.com

DRAWING BY CY

CHECKED BY GENIUS

UNIT / mm SCALE 1 : 1

DATE

SIZE A4

X, ±
.X ±
.XX ±
.XXX ±
ANG ±

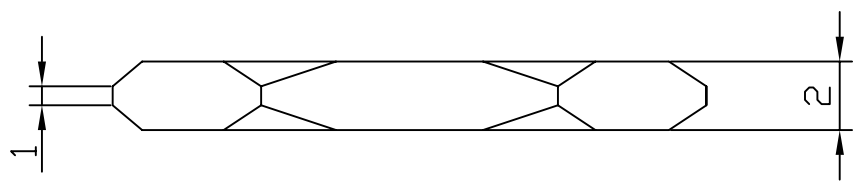
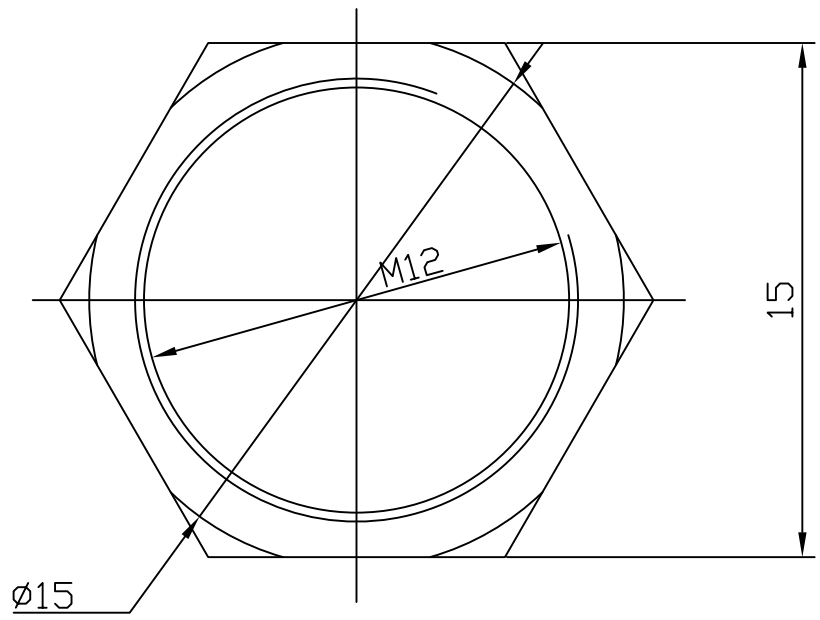
PPOJECTION 



ORDER INFORMATION

DCJ-DPBHN-xx-LF
SERIES
20:2.0∅ LEADFREE
25:2.5∅
NUT
H TYPE
PANEL BACK
DIP 180°

DESCRIPTION: DC POWER JACK



1	NUT	1	PBT	
LTR	PART NAME	QTY	MATERIAL	REMARK

RoHS Compliant

TOLERANCES ARE

MORETHANALL
PCB CONNECTORS
Cable ASSEMBLIES
煜倫股份有限公司

DRAWING BY CY

CHECKED BY GENIUS

UNIT / mm

SCALE 1:1

DATE

X. ±
.X ±
.XX ±
.XXX ±
ANG ±

SIZE A4

PPOJECTION



ORDER INFORMATION

DCJ-DPBHN-xx-LF
SERIES | | | | | LEADFREE
20:2.0Ø
25:2.5Ø
NUT
H TYPE
PANEL BACK
DIP 180°

DESCRIPTION: DC POWER JACK

www.morethanall.com