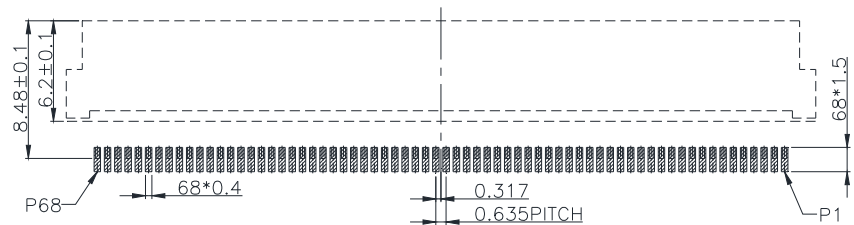


Unit: mm; Tolerances: ± 0.15 mm
 Figure 4.1 Mechanical outline dimension



Unit: mm; Tolerances: ± 0.05 mm
 Figure 4.2 Reference dimension for PCB layout

Note:

1. Coplanarity of solder pins 0.10mm max.
2. Recommended thickness of solder paste > 0.15mm.

RoHS Compliant

TOLERANCES ARE

MORETHANALL
 PCB CONNECTORS
 Cable ASSEMBLIES

DRAWING BY CY

X. ± 0.30

CHECKED BY GENIUS

.X ± 0.30

UNIT / mm

SCALE 1 : 1

.XX ± 0.20

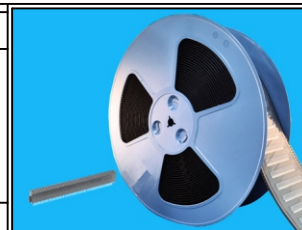
DATE

.XXX ± 0.10

ANG $\pm 1^\circ$

SIZE A4

P PROJECTION



ORDER INFORMATION

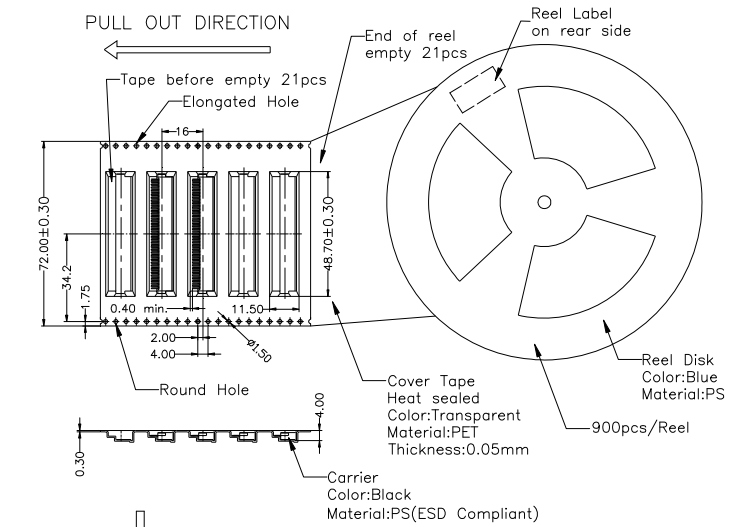
PCC-SWA03R-68-LF
 SERIES | | | | LEADFREE
 | | | | 68WAY
 | | | | REEL
 | | | | OFFSET 0.3mm
 FEMALE | | | | A TYPE
 | | | | 90°SMT

DESCRIPTION:

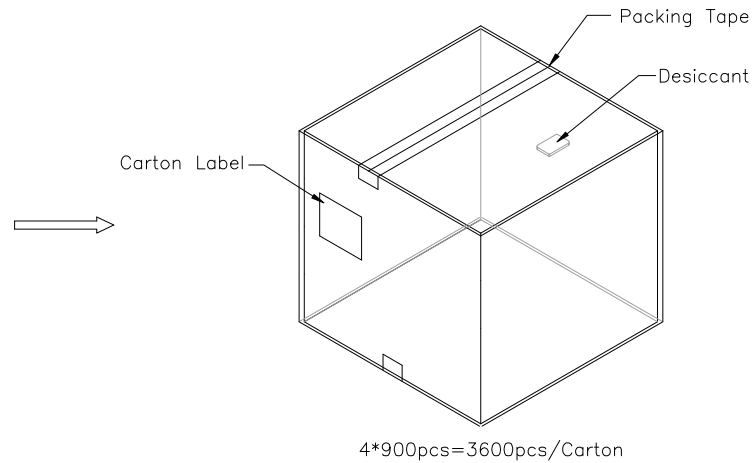
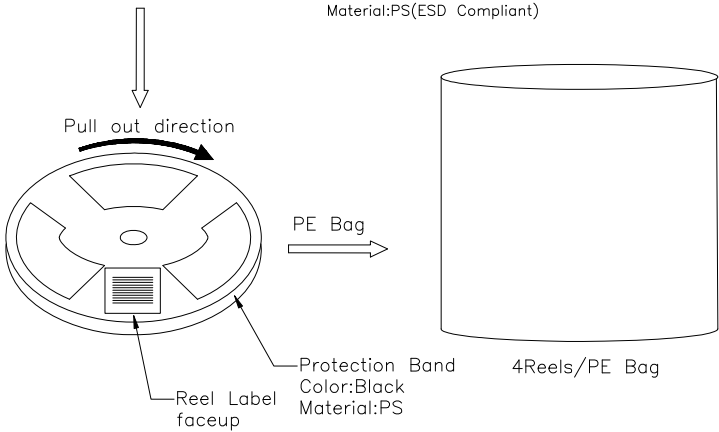
煜倫股份有限公司

www.morethanall.com

A1: Carrier Tape (Meet EIA-481 Standard)



Q'TY: 900 PCs per reel
Meas.: dia. 33 CM, W 7.2 CM
N.W.: 1.13 KG
G.W.: 1.95 KG



Q'TY: 3,600 PCs per carton
 (4 reels set in order)
Meas.: 35.0L x 35.0W x 33.0H CM
N.W.: 4.5 KG
G.W.: 8.5 KG

RoHS Compliant

TOLERANCES ARE

MORETHANALL
 PCB CONNECTORS
 Cable ASSEMBLIES

DRAWING BY CY

X, ± 0.30

CHECKED BY GENIUS

.X ± 0.30

UNIT / mm

SCALE 1 : 1

.XX ± 0.20

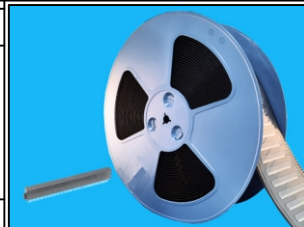
DATE

.XXX ± 0.10

ANG ± 1°

SIZE A4

PPOJECTION



ORDER INFORMATION

PCC-SWA03R-68-LF
 SERIES | | | | LEADFREE
 | | | | 68WAY
 | | | | REEL
 | | | | OFFSET 0.3mm
 FEMALE | | | | A TYPE
 | | | | 90°SMT

煜倫股份有限公司

www.morethanall.com

DESCRIPTION: