

T:1.6 Dimensions of PC board holes
Tolerance : ±0.1(Printed-top view)

7	COVER	1	PA9T	UL-94V0(BLACK)
6	HOUSING	1	PA9T	UL-94V0(BLACK)
5	TERMINAL	1	C2680	t=0.20 MB:Ni Ag PLATED
4	TERMINAL	1	C2680	t=0.30 MB:Ni Ag PLATED
3	TERMINAL	1	C5191	t=0.20 MB:Ni Ag PLATED
2	TERMINAL	1	C5191	t=0.30 MB:Ni Ag PLATED
1	TERMINAL	1	C5191	t=0.20 MB:Ni Ag PLATED
LTR	PART NAME	QTY	MATERIAL	REMARK

SCHEMATIC			
PJ-W37R-05C	PJ-W37R-04C	PJ-W37R-04C	PJ-W37R-03

UNLESS OTHERWISE SPECIFIED, TOLERANCE ON DECIMAL: ±0.2

RoHS Compliant

TOLERANCES ARE

MORETHANALL
PCB CONNECTORS
Cable ASSEMBLIES

DRAWING BY CY

CHECKED BY GENIUS

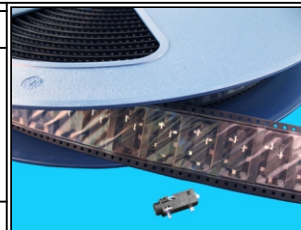
UNIT / mm SCALE 1 : 1

DATE

SIZE A4

X, ±
.X ±
.XX ±
.XXX ±
ANG ±

PPOJECTION



ORDER INFORMATION

PJ-W37R-xx-LF
SERIES | LEADFREE SCHEMATIC
REEL
POST 3.5+7.0mm
90°SMT

煜倫股份有限公司

www.morethanall.com

DESCRIPTION: MINIATURE JACK

1 Space=1 pcs

1 Film packing box=1×500pcs
=500pcs

1 Big Carton=10×500pcs=5000pcs

1 Film packing box Dimension
=L×W×H
=8600×32×6.6

The thickness of the film=0.4mm

1 Cover tape Dimension
=L×W×H
=8600×25×0.06

1 Embossed Carrier Reel Dimension
=D×H

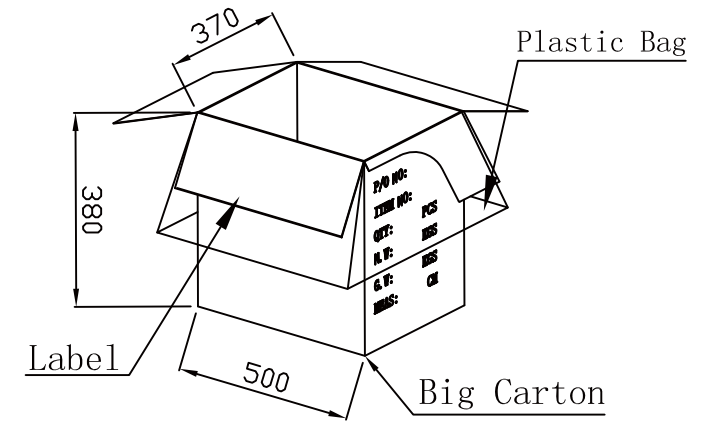
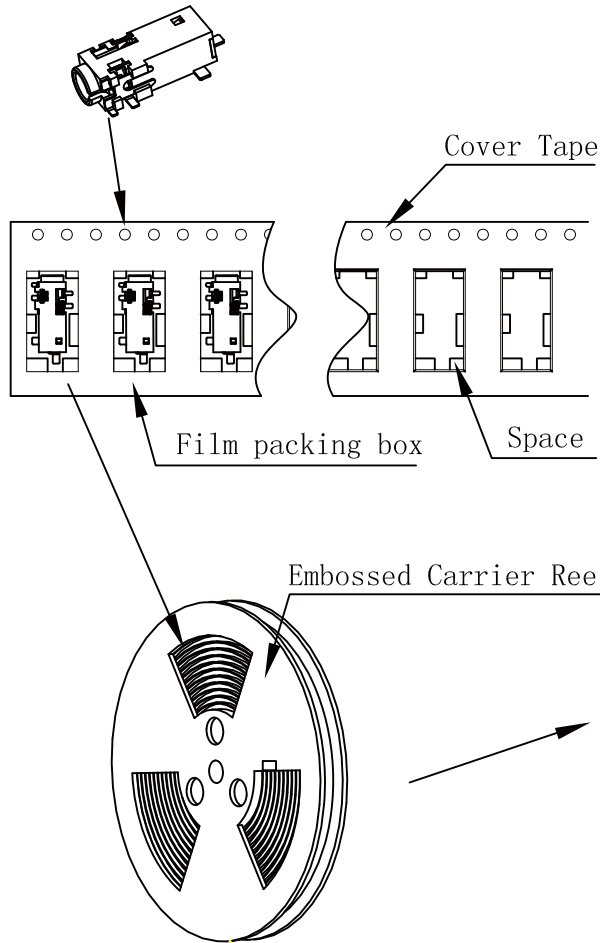
=330×37.1

1 Plastic Bag Dimension
=L×W×D

=1000×1100×0.06

1 Big Carto Dimension
=L×W×H

=500×370×380



淨重:7.5kg

毛重:9.5kg

單位:mm

RoHS Compliant

TOLERANCES ARE

MORETHANALL
PCB CONNECTORS
Cable ASSEMBLIES

煜倫股份有限公司

www.morethanall.com

DRAWING BY CY

CHECKED BY GENIUS

UNIT/mm

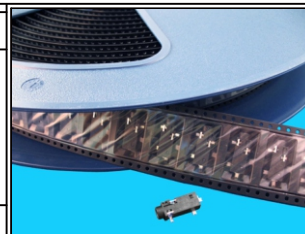
SCALE 1:1

DATE

SIZE A4

P PROJECTION

X, ±
.X ±
.XX ±
.XXX ±
ANG ±



ORDER INFORMATION

PJ-W37R-xx-LF
 SERIES | LEADFREE
 | SCHEMATIC
 | REEL
 | POST 3.5+7.0mm
 | 90°SMT

DESCRIPTION: