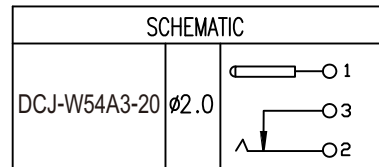
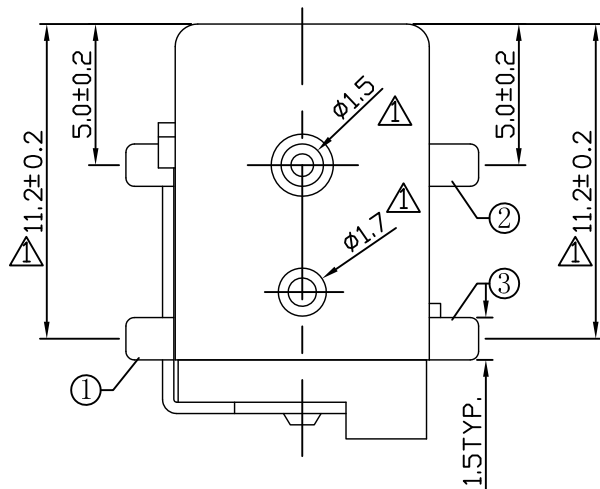
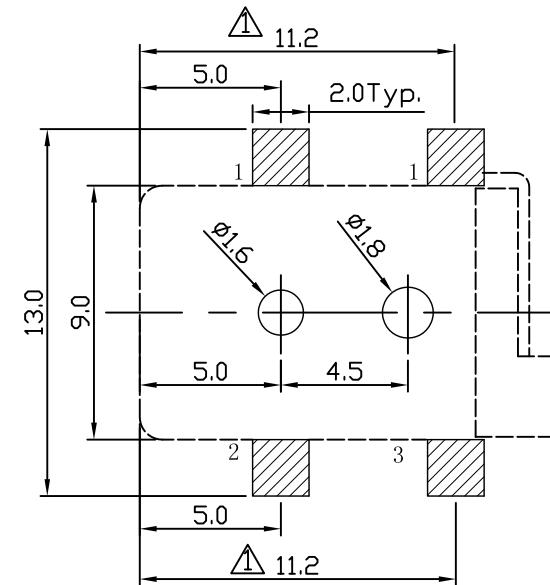
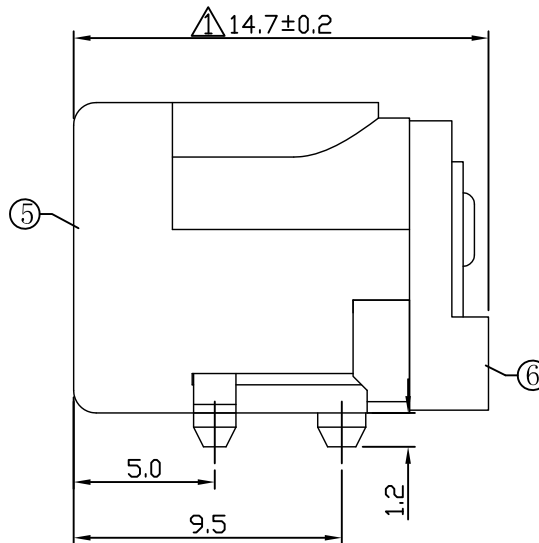
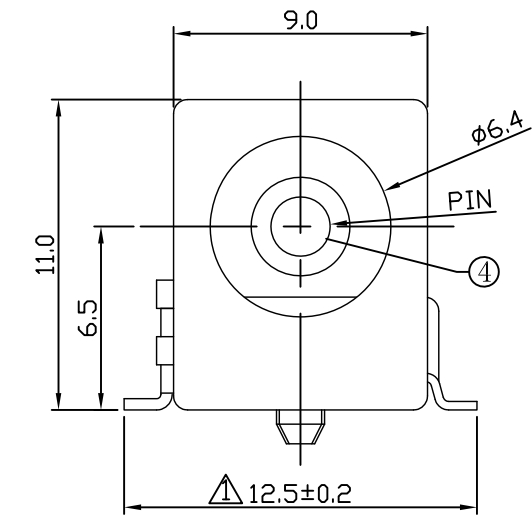


Rated voltage/ Rated current :5V/3A



T:1.6 Dimensions of PC board holes
Tolerance : ±0.1(Printed-top view)

6	COVER	1	PA9T	UL-94V0(BLACK)
5	HOUSING	1	PA9T	UL-94V0(BLACK)
4	PIN	1	C2680	MB:Cu Ni PLATED
3	CURVE PIECE	1	C2680	t=0.4 MB:Cu Ag PLATED
2	SPRING	1	C5191	t=0.3 MB:Cu Ag PLATED
1	CURVE PIECE	1	C2680	t=0.4 MB:Cu Ag PLATED
LTR	PART NAME	QTY	MATERIAL	REMARK

UNLESS OTHERWISE SPECIFIED, TOLERANCE ON DECIMAL:±0.2

RoHS Compliant

TOLERANCES ARE

MORETHANALL
PCB CONNECTORS
Cable ASSEMBLIES

煜倫股份有限公司

www.morethanall.com

DRAWING BY CY

CHECKED BY GENIUS

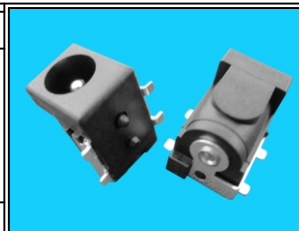
UNIT / mm SCALE 1 : 1

DATE

SIZE A4

X, ±
.X ±
.XX ±
.XXX ±
ANG ±

PPOJECTION



ORDER INFORMATION

DCJ-W54A3-20-LF
SERIES | LEADFREE
3A
POST 5.0+4.5mm
90°SMT

DESCRIPTION: DC POWER JACK