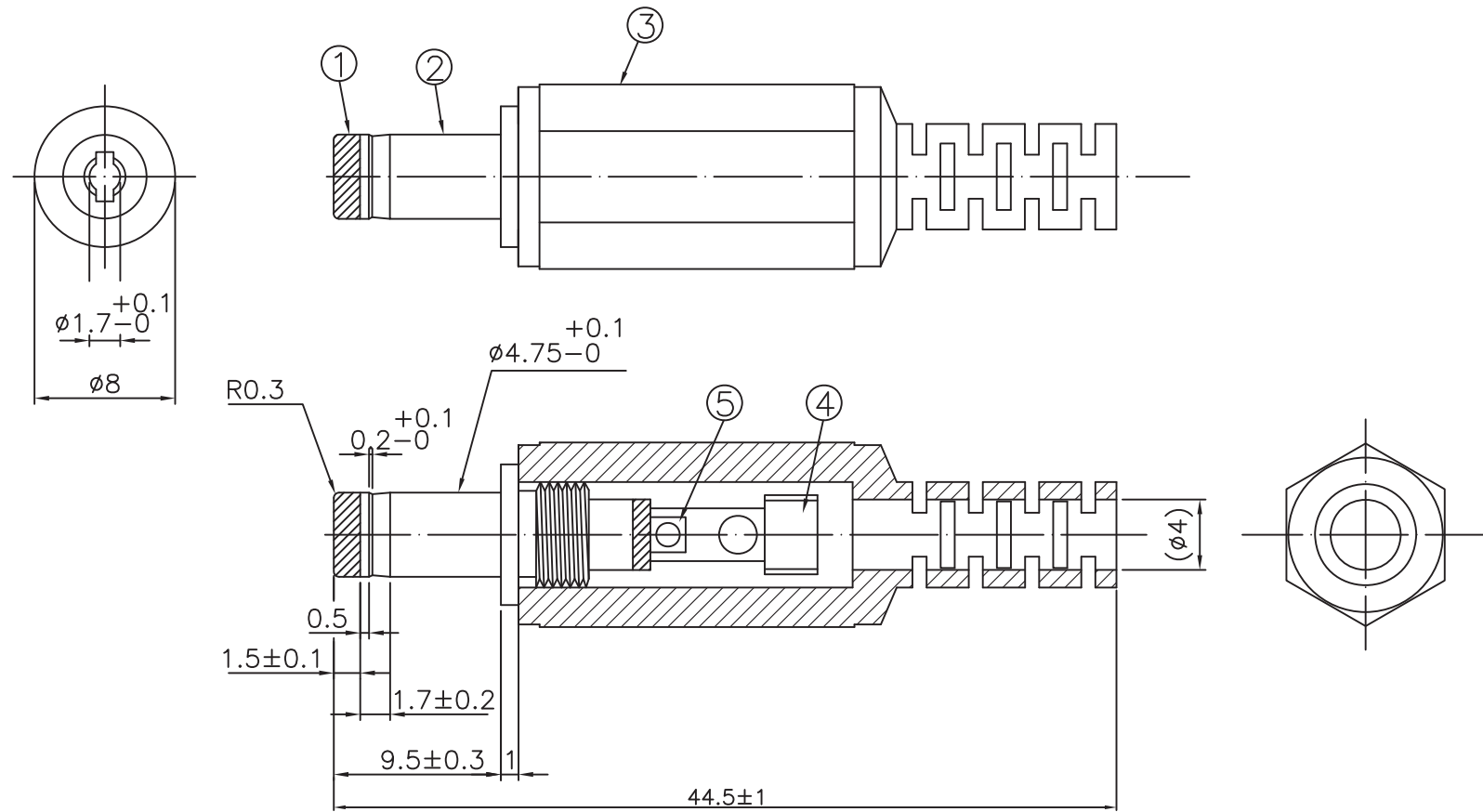


一般公差	
尺寸區分	公差
0>1.0	±0.1
1.0>6.0	±0.2
6.0>12.0	±0.3
12.0>25.0	±0.4
25.0>	±0.5



5	P-BRONZE NICKEL
4	BRASS NICKEL
3	PVC BLACK
2	BRASS NICKEL
1	POM YELLOW
NO	CONTENT

RoHS Compliant

TOLERANCES ARE

MORETHANALL
PCB CONNECTORS
Cable ASSEMBLIES

DRAWING BY CY

X. ±

CHECKED BY GENIUS

.X ±

UNIT / mm

SCALE 1 : 1

.XX ±

DATE

.XXX ±

ANG ±

SIZE A4

P PROJECTION



ORDER INFORMATION

DCP-A-47517-LF
SERIES | LEADFREE
ID: 1.7Ø
OD: 4.75Ø
ASSEMBLY

煜倫股份有限公司

www.morethanall.com

DESCRIPTION: DC PLUG $\phi 4.75 \times \phi 1.7 \times 9.5L$ AEESEMBLY TYPE