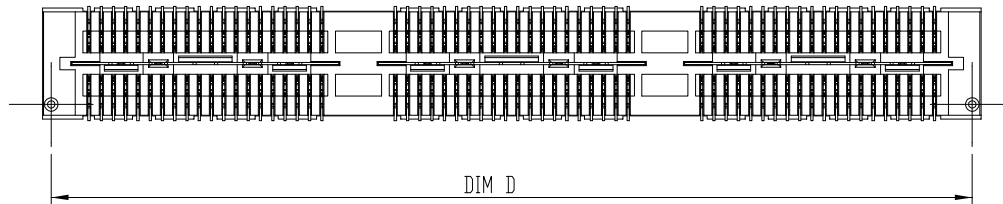
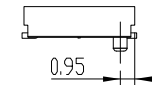
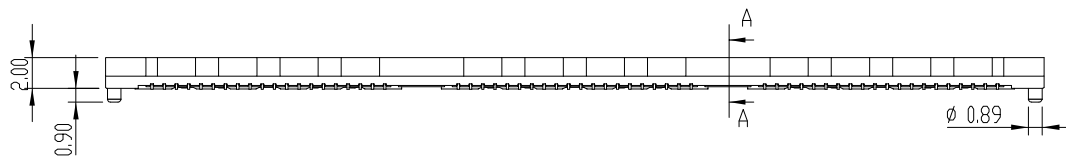


SPECIFICATION
MATERIAL
 Insulator: LCP E6808, rated UL94V-0
 Contacts: Copper Alloy
B CONTACT PLATING
 Underplate: 50u"~120u" Nickel **D**
 Contact area: 1u" Gold ~ 8u" Selective gold
 Solder tails area: 1u" Gold
ELECTRICAL
 Current rating:
C Contact: 20A
 Ground Plane: 7.8A
 Operating Temp Range:
 -55°C to +125°C
 Voltage Rating:
C 225VAC(5mm Stack Height)
C Withstanding voltage: 675VAC
 Mating cycles: 100 insertions



	40 PIN	80 PIN	120 PIN
DIM A	21.27	41.27	61.27
DIM B	20.17	40.17	60.17
DIM C	17.17	37.17	57.17
DIM D	20.13	40.13	60.13

RoHS Compliant

TOLERANCES ARE

MORETHANALL
 PCB CONNECTORS
 Cable ASSEMBLIES

煜倫股份有限公司

www.morethanall.com

DRAWING BY CY

CHECKED BY GENIUS

UNIT / mm

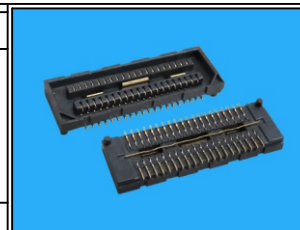
SCALE 1 : 1

DATE

SIZE A4

PJECTION

X. ± 0.30
 .X ± 0.20
 .XX ± 0.12
 .XXX ±
 ANG ± 5°



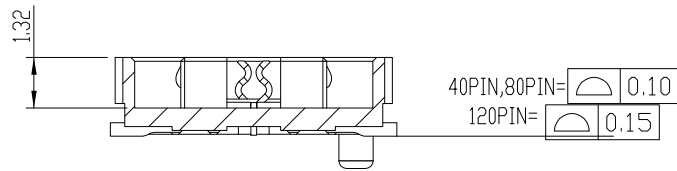
ORDER INFORMATION

HSNP0859-S010P-xxx-LF

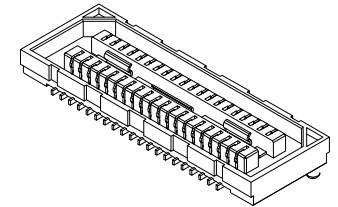
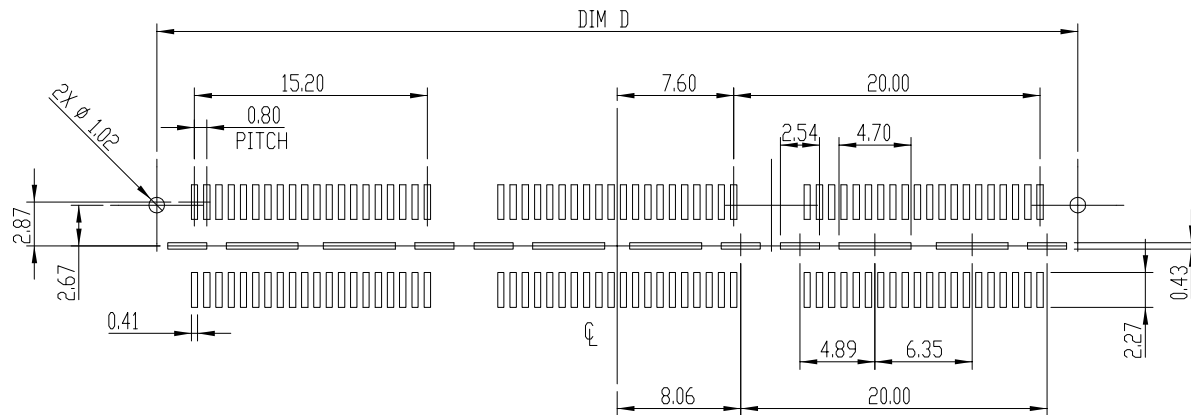
SERIES

LEADFREE
 040.080.120WAY
 POST
 UNMATED HIGH 1.0mm
 FEMALE

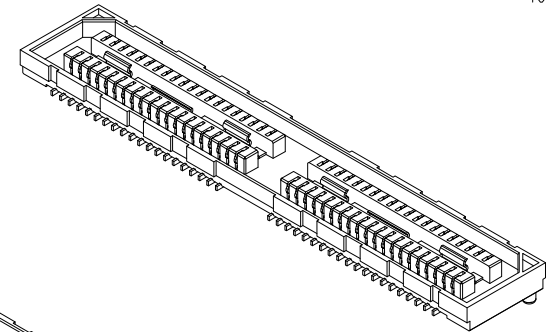
DESCRIPTION: HI-SPEED SOCKET PITCH=0.80mm ,2.05mm High 20PINS/BANK



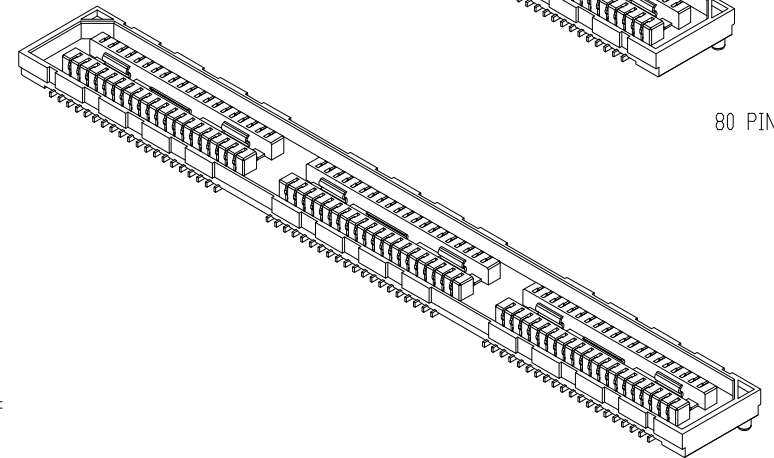
剖面圖 A-A



40 PIN



80 PIN



120 PIN

RoHS Compliant

TOLERANCES ARE

MORETHANALL
PCB CONNECTORS
Cable ASSEMBLIES

DRAWING BY CY

X ± 0.30

CHECKED BY GENIUS

.X ± 0.20

UNIT / mm

SCALE 1 : 1

.XX ± 0.12

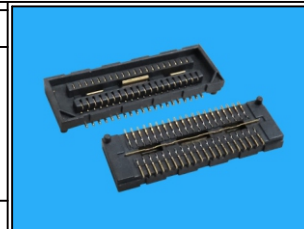
DATE

.XXX ±

ANG ± 5°

SIZE A4

PJECTION



ORDER INFORMATION

HSNP0859-S010P-xxx-LF

SERIES

LEADFREE

040.080.120WAY

POST

UNMATED HIGH 1.0mm

FEMALE

煜倫股份有限公司

www.morethanall.com

DESCRIPTION: HI-SPEED SOCKET PITCH=0.80mm ,2.05mm High 20PINS/BANK