

PCB LAYOUT/TOP VIEW

MATERIALS:
 PLASTIC HOUSING: HIGH TEMP. THERMOPLASTIC
 FLAMMABILITY RATING UL 94V-0.
 CONTACTS: PHOSPHOR BRONZE
 PLATING: GOLD PLATING OVER NICKEL IN CONTACT.
 TIN PLATING OVER NICKEL IN SOLDER AREA.

RoHS Compliant

TOLERANCES ARE

MORETHANALL
 PCB CONNECTORS
 Cable ASSEMBLIES

DRAWING BY CY

X. ± 0.50

CHECKED BY GENIUS

.X ± 0.38

UNIT / mm

SCALE 1:1

.XX ± 0.25

DATE

.XXX ± 0.10

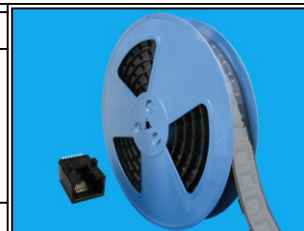
ANG ± 3°

煜倫股份有限公司

www.morethanall.com

SIZE A4

PJECTION

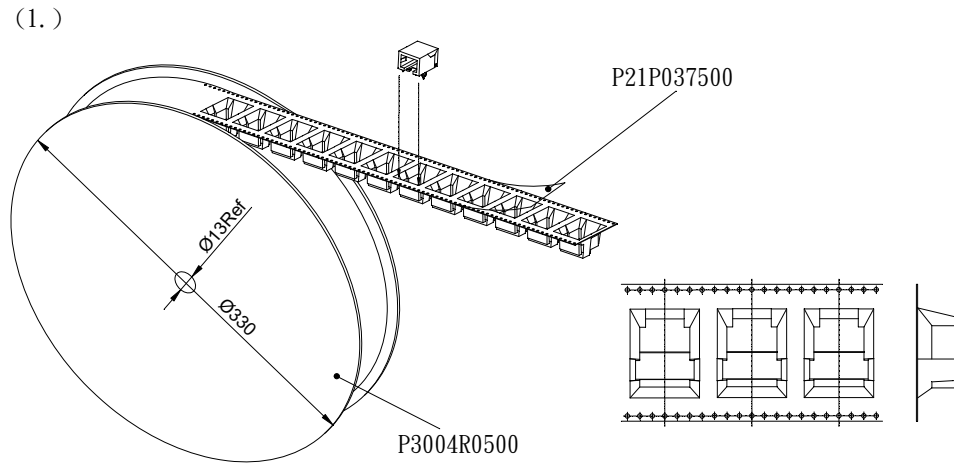


ORDER INFORMATION

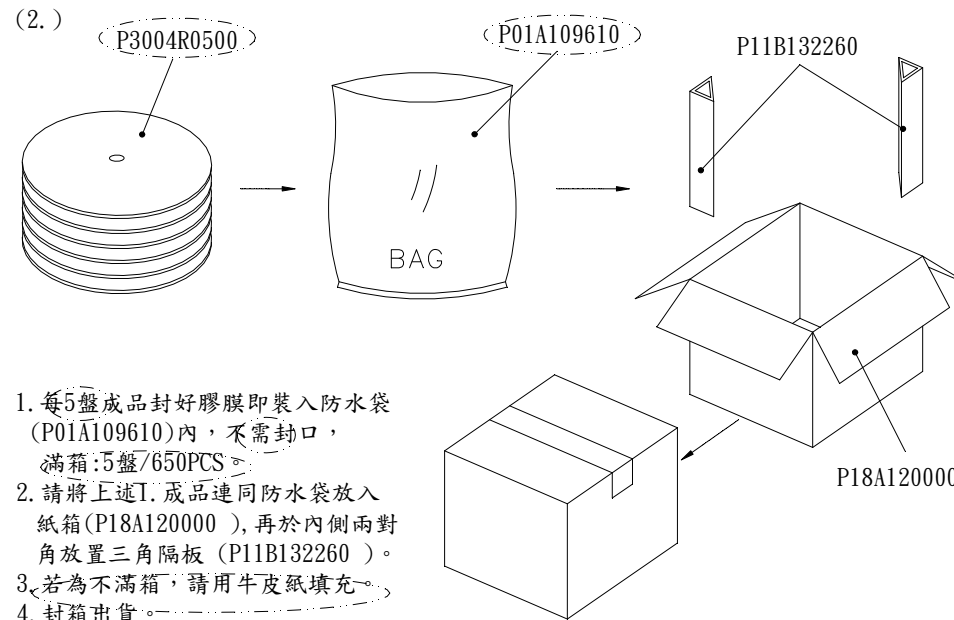
MJW11-KX06PR-0808-LF

SERIES REEL POST
 BLACK 06u" GOLD NON EAR
 8P8C LEADFREE

DESCRIPTION: RJ45 8P8C SMT JACK



1. 請將組立完成之成品依圖面標示方向順序放入 P3004R0500 (抗靜電)內，前空5格，後空5格，封上P21P037500，每盤裝130 PCS。(請注意捲帶方向)



1. 每5盤成品封好膠膜即裝入防水袋 (P01A109610)內，不需封口，滿箱:5盤/650PCS。
2. 請將上述T. 成品連同防水袋放入紙箱 (P18A120000)，再於內側兩對角放置三角隔板 (P11B132260)。
3. 若為不滿箱，請用牛皮紙填充。
4. 封箱出貨。

RoHS Compliant

TOLERANCES ARE

MORETHANALL
PCB CONNECTORS
Cable ASSEMBLIES

煜倫股份有限公司

www.morethanall.com

DRAWING BY CY

CHECKED BY GENIUS

UNIT / mm SCALE 1:1

DATE

SIZE A4

X ± 0.50

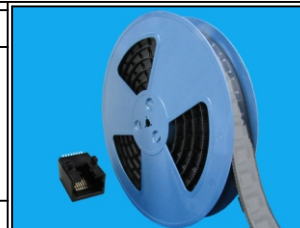
.X ± 0.38

.XX ± 0.25

.XXX ± 0.10

ANG ± 3°

P PROJECTION



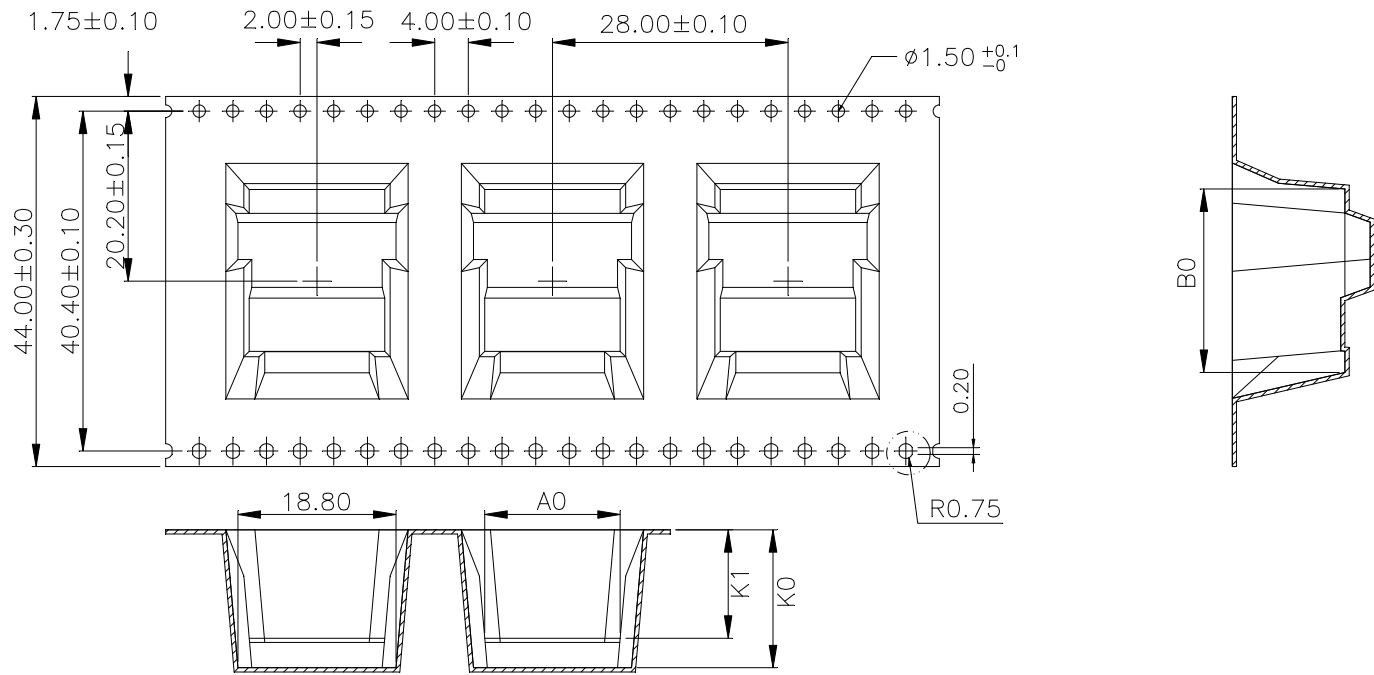
ORDER INFORMATION

MJW11-KX06PR-0808-LF

SERIES REEL POST LEADFREE

BLACK 06u" GOLD NON EAR 8P8C

DESCRIPTION: RJ45 8P8C SMT JACK



A0	16.90±0.15
B0	21.80±0.15
K0	16.40±0.20
K1	12.90±0.15

1. 10 sprocket hole pitch cumulative tolerance ± 0.20 .
2. Carrier camber is within 1 mm in 250 mm.
3. Material : Black Conductive Polystyrene Alloy.
4. All dimensions meet EIA-481 requirements.
5. Thickness : 0.50 ± 0.05 mm.
6. Packing length per 13" reel : 3.92 Meters (1:1).
7. Component load per 13" reel : 140 pcs.

適用範圍:

SMT TYPE 有金屬殼無簧片腳折平、腳直立，香菇腳，圓柱腳，金屬腳直立

RoHS Compliant

TOLERANCES ARE

MORETHANALL
PCB CONNECTORS
Cable ASSEMBLIES
煜倫股份有限公司

DRAWING BY CY

X, ± 0.50

CHECKED BY GENIUS

.X, ± 0.38

UNIT / mm

SCALE 1 : 1

.XX, ± 0.25

DATE

.XXX, ± 0.10

ANG $\pm 3^\circ$

SIZE A4

PPOJECTION



ORDER INFORMATION

MJW11-KX06PR-0808-LF

SERIES REEL
LEADFREE
8P8C
BLACK 06u" GOLD
NON EAR

DESCRIPTION: RJ45 8P8C SMT JACK

www.morethanall.com