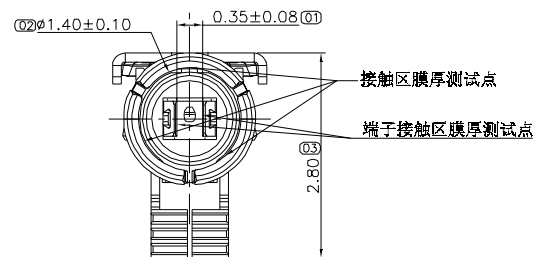
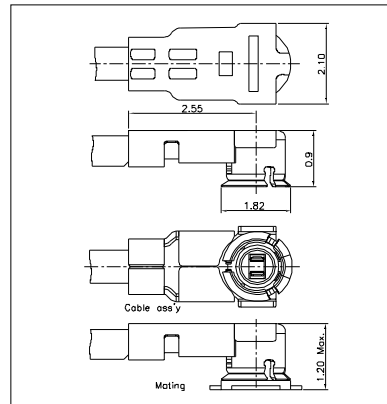
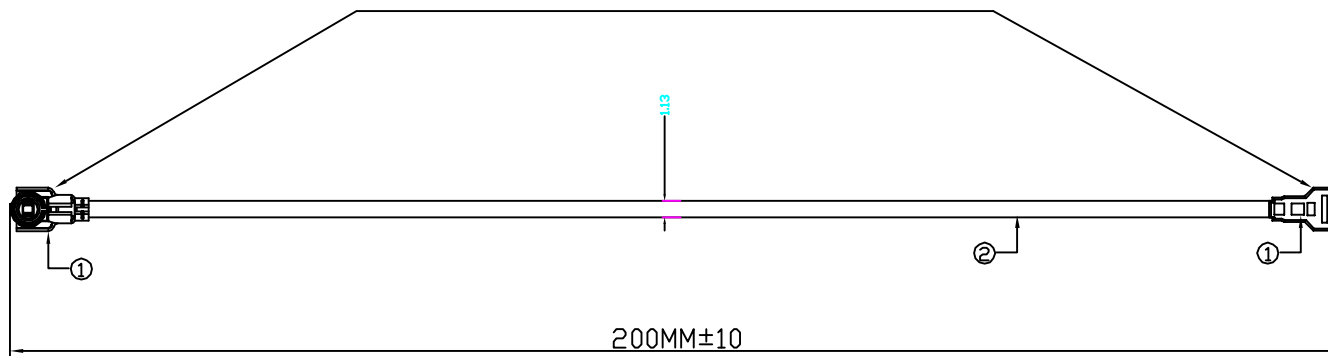


1代IPEX端子(反向), 灰色线



PART LIST: 本产品均符合"ROHS"环保标准, 用的材料均为相当品。

2	1.13 COAXIAL CABLE(GRAY)	1	PCS
1	U.FL Compatible Connector Plug for 1.13 Coaxial Cable	2	PCS
ITEM		Q' TY	UNIT

RoHS Compliant

TOLERANCES ARE

MORETHANALL
PCB CONNECTORS
Cable ASSEMBLIES

煜倫股份有限公司

www.morethanall.com

DRAWING BY CY

CHECKED BY GENIUS

UNIT / mm SCALE 1 : 1

DATE

SIZE A4

X, ±
.X ±
.XX ±
.XXX ±
ANG ±

PJECTION



ORDER INFORMATION

MHFX2-1R1R113BS-M20C-LF

SERIES

LEADFREE

200mm

MALE TO MALE

BOTH SIDES

RF COAXIAL GABLE WITH O/D Ø1.13mm

RT/RT

DESCRIPTION: I-PEX TO I-PEX 1.13 L=200MM.