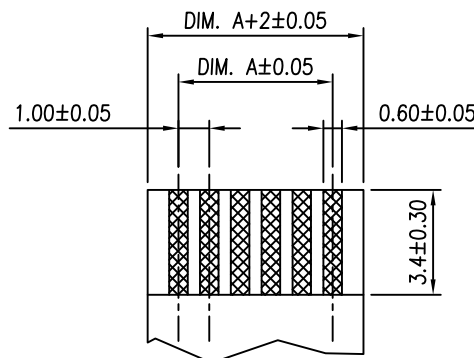
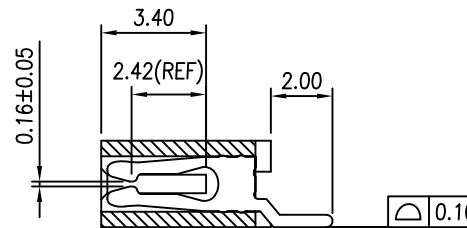


RECOMMENDED PCB LAYOUT  
TOLERANCE: ±0.05



FPC/FFC T=0.30±0.05

NOTE:

- 1.MATERIAL:  
HOUSING: PA9T, UL94V-0, COLOR: BLACK.  
CONTACT: PHOSPHOR BRONZE.
- 2.FINISH:  
CONTACT AREA: TIN PLATING 100 μ" THICKNESS MIN.  
SOLDERING AREA: TIN PLATING 100 μ" THICKNESS MIN.;  
UNDER PLATING: NICKEL PLATING 50 μ" THICKNESS MIN. OVERALL.
- 3.PRODUCT SPECIFICATION: PS-FPC-10

POS.	DIMENSION			POS.	DIMENSION		
	A	B	C		A	B	C
3	2.00	4.10	6.00	17	16.00	18.10	20.00
4	3.00	5.10	7.00	18	17.00	19.10	21.00
5	4.00	6.10	8.00	19	18.00	20.10	22.00
6	5.00	7.10	9.00	20	19.00	21.10	23.00
7	6.00	8.10	10.00	21	20.00	22.10	24.00
8	7.00	9.10	11.00	22	21.00	23.10	25.00
9	8.00	10.10	12.00	23	22.00	24.10	26.00
10	9.00	11.10	13.00	24	23.00	25.10	27.00
11	10.00	12.10	14.00	25	24.00	26.10	28.00
12	11.00	13.10	15.00	26	25.00	27.10	29.00
13	12.00	14.10	16.00	27	26.00	28.10	30.00
14	13.00	15.10	17.00	28	27.00	29.10	31.00
15	14.00	16.10	18.00	29	28.00	30.10	32.00
16	15.00	17.10	19.00	30	29.00	31.10	33.00

RoHS Compliant

TOLERANCES ARE

**MORETHANALL**  
PCB CONNECTORS  
Cable ASSEMBLIES

DRAWING BY CY

X. ± 0.40

CHECKED BY GENIUS

.X ± 0.30

UNIT / mm

SCALE 1 : 1

.XX ± 0.20

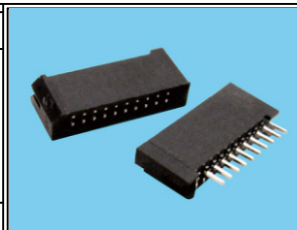
DATE

.XXX ± 0.10

ANG ± 1°

SIZE A4

PJECTION



ORDER INFORMATION

FPA-WL2-xx-LF

SERIES LEADFREE  
03~30 WAY  
DUAL CONTACT  
NON ZIF  
90°SMT

煜倫股份有限公司

www.morethanall.com

DESCRIPTION: FPC/FFC 1.0mm PITCH CONNECTOR, NON ZIF DUAL CONTACT SMT TYPE