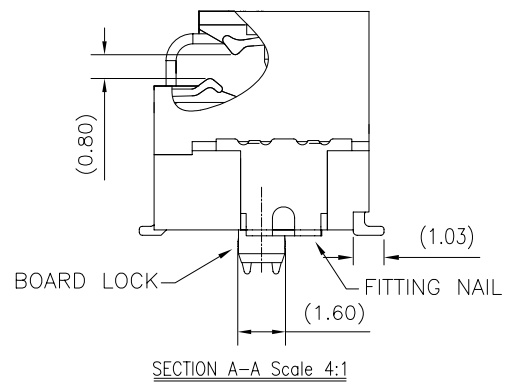
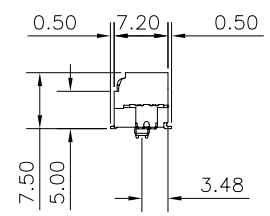
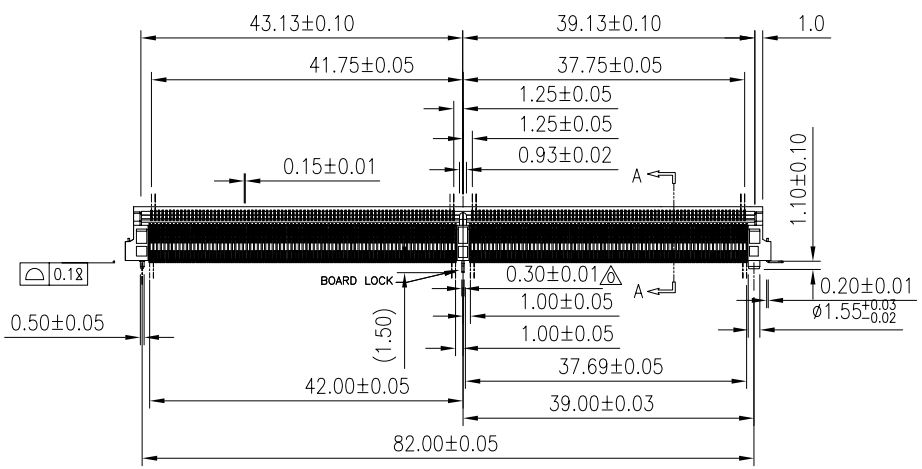


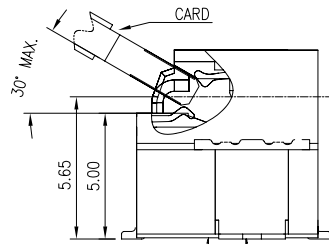
- NOTES:
- MATERIAL:
 - HOUSING: THERMOPLASTIC, HIGH TEMP.,UL94V-0; COLOR:Black.
 - CONTACT: COPPER ALLOY
 - FITTING NAIL: COPPER ALLOY
 - BOARD LOCK: COPPER ALLOY
 - FINISH:
 - CONTACT:
 - PLATING 8:
 - UNDERPLATING: 50u" MIN. NICKEL OVERALL.
 - FINISH:GOLD 3u" MIN. ON CONTACT,GOLD FLASH ON SOLDER TAIL
 - PLATING M:
 - UNDERPLATING: 50u" MIN. NICKEL OVERALL.
 - FINISH:GOLD 3u" ON CONTACT ARER,GOLD 1u" ON SOLDER TAIL
 - FITTING NAIL:
 - UNDERPLATING: 50u" MIN. NICKEL OVERALL.
 - FINISH:100~200u"MATT TIN OVER ALL
 - BOARD LOCK:
 - UNDERPLATING: 50u" MIN. NICKEL OVERALL.
 - FINISH:MATT TIN OVER ALL
 - REFLOW SOLDER CAPABLE TO 260°C
 - ROHS COMPLIANT PRODUCT.
 - THE PCB WARPAGE : 0.05MAX.
 - THE PCB Coplanarity : 0.08MAX.(ex.86.54mm&CONN.LAYOUT AREA),



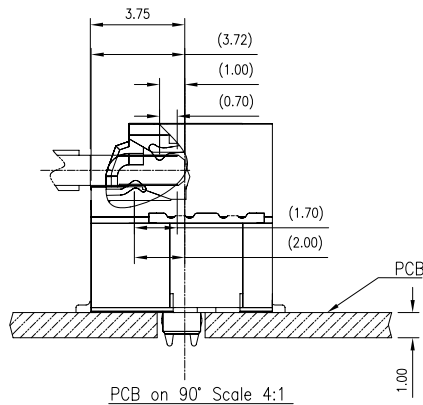
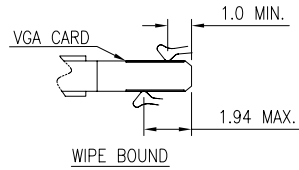
		RoHS Compliant		TOLERANCES ARE
		DRAWING BY CY	X. ± 0.50	
CHECKED BY GENIUS	.X ± 0.25			
UNIT / mm	.XX ± 0.15			
SCALE 1 : 1	.XXX ± 0.10			
DATE	ANG ± 2°			
SIZE A4	PPOJECTION			

ORDER INFORMATION			
MXM-W075EP2-165149-LF			
SERIES		314 WAY	LEADFREE
		EAR+POST	
		HIGH 7.5mm	
		90°SMT	
DESCRIPTION: MXM-3 314 PINS 0.5mm PITCH EDGE CARD CONN. SMT D/R R/A STD TYPE H=7.5mm (BTB H=5.0)			

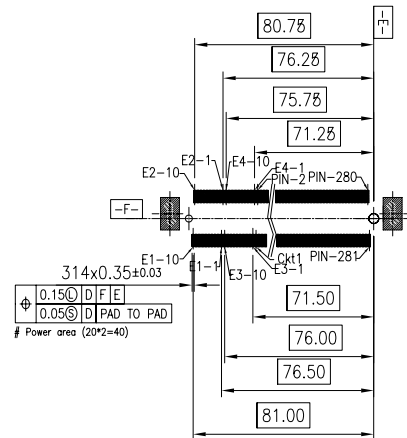
煜倫股份有限公司
www.morethanall.com



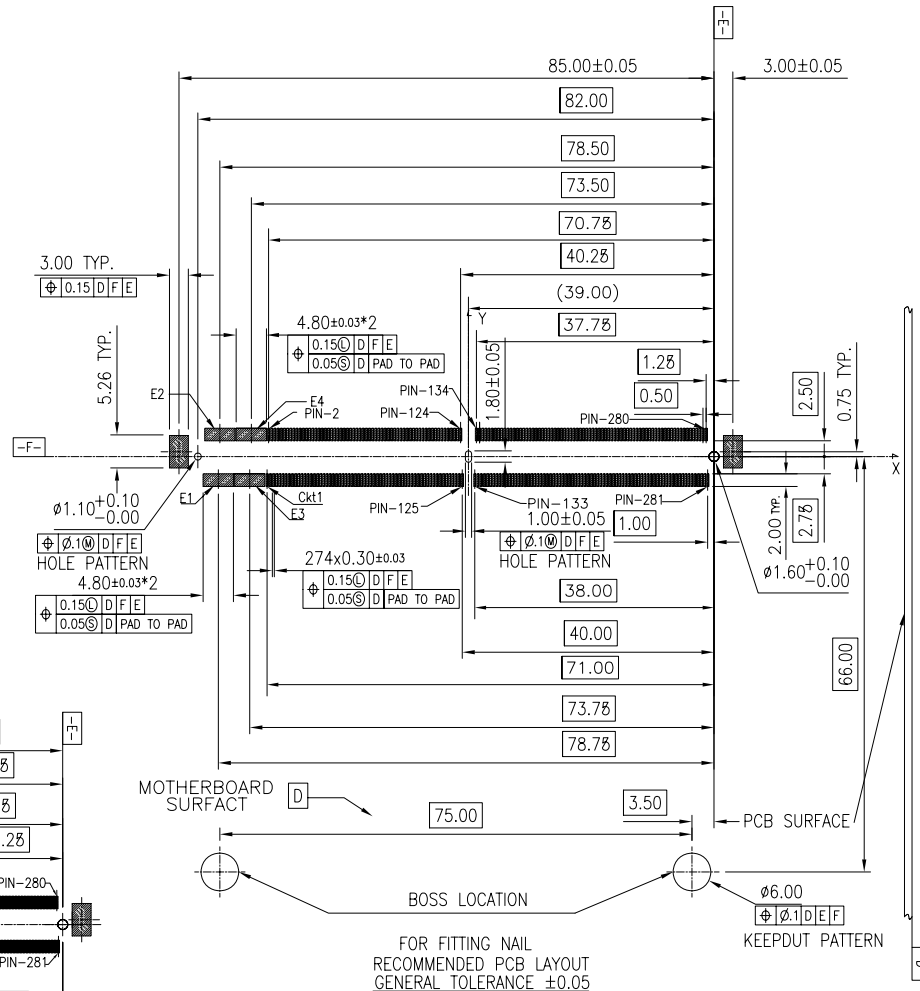
PCB 30° MAX In conn. Scale 4:1



PCB on 90° Scale 4:1



HIGH ELECTRICITY PER PIN LAYOUT



RoHS Compliant

TOLERANCES ARE

MORETHANALL
PCB CONNECTORS
Cable ASSEMBLIES

DRAWING BY CY

X. ± 0.50

CHECKED BY GENIUS

.X ± 0.25

UNIT / mm

SCALE 1 : 1

.XX ± 0.15

DATE

.XXX ± 0.10

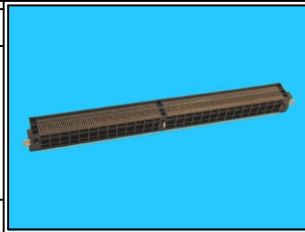
ANG ± 2°

煜倫股份有限公司

www.morethanall.com

SIZE A4

PPOJECTION



ORDER INFORMATION

MXM-W075EP2-165149-LF

SERIES

LEADFREE

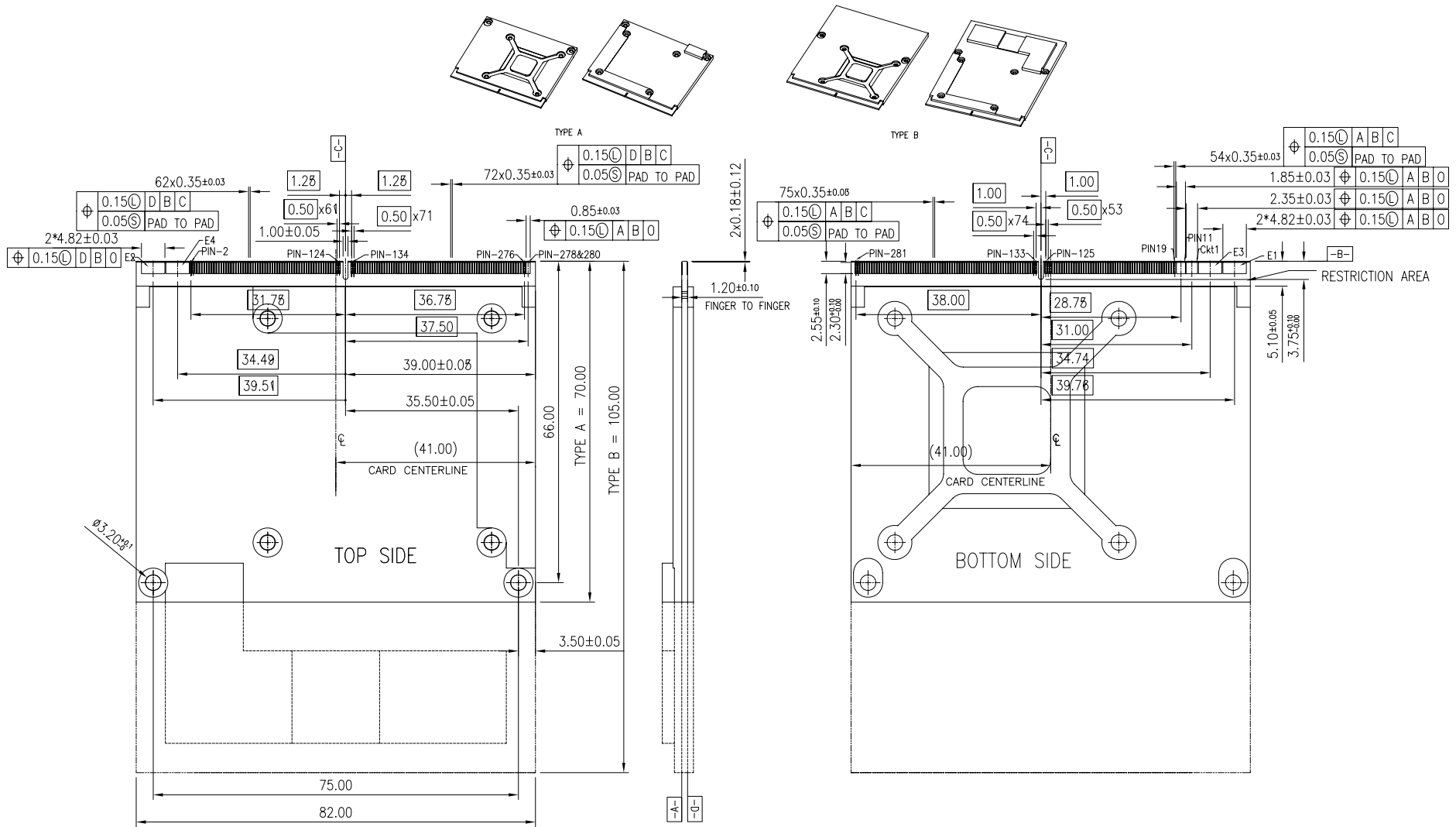
314 WAY

EAR+POST

HIGH 7.5mm

90°SMT

DESCRIPTION: MXM-3 314 PINS 0.5mm PITCH EDGE CARD CONN. SMT D/R R/A STD TYPE H=7.5mm (BTB H=5.0)



MXM-3 314PIN GOLD FINGER
 MXM-3 MAX 321 CONTACT LOCATION
 314 USEABLE (7 LOST TO KEY)

RoHS Compliant

TOLERANCES ARE

MORETHANALL
 PCB CONNECTORS
 Cable ASSEMBLIES

DRAWING BY CY

X ± 0.50

CHECKED BY GENIUS

.X ± 0.25

UNIT / mm

SCALE 1 : 1

.XX ± 0.15

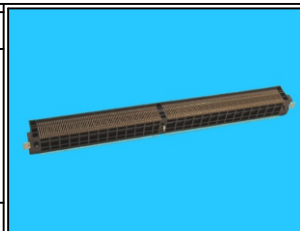
DATE

.XXX ± 0.10

ANG ± 2°

SIZE A4

PPOJECTION



ORDER INFORMATION

MXM-W075EP2-165149-LF

SERIES

LEADFREE

314 WAY

EAR+POST

HIGH 7.5mm

90°SMT

煜倫股份有限公司

www.morethanall.com

DESCRIPTION: MXM-3 314 PINS 0.5mm PITCH EDGE CARD CONN. SMT D/R R/A STD TYPE H=7.5mm (BTB H=5.0)