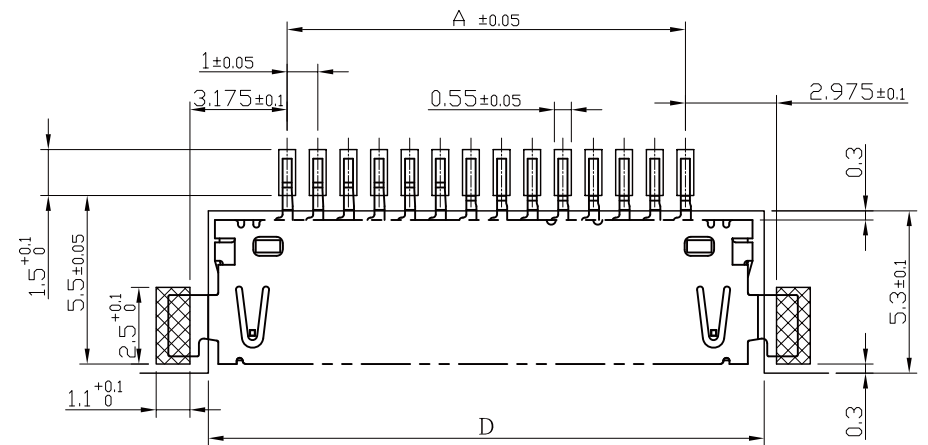


NOTES:

1. INSULATOR: GLASS FILLED NYLON 9T, UL94V-0
2. CONTACT: COPPER ALLOY
3. CONTACT FINISH: 1. GOLD FLASH ON CONTACT AREA  
TIN/LEAD ON SOLDER AREA, BOTH OVER NICKEL  
2. GOLD FLASH ON CONTACT OVER NICKEL (LEADFREE)
- △ 4. SHELL: 0. COPPER ALLOY, GOLD FLASH ON SOLDER AREA OVER NICKEL  
1. Cu-Ni-Zn ALLOY
5. PACKING TYPE: SPACE: TUBE  
R: REEL

DIMENSIONS

30	DF19-WXF11-30	29.00	33.55	36.75	34.15
20	DF19-WXF11-20	19.00	23.55	26.75	24.15
14	DF19-WXF11-14	13.00	17.55	20.75	18.15
08	DF19-WXF11-08	7.00	11.55	14.75	12.15
CKT.	PART NO.	A	B	C	D



RECOMMENDED PCB LAYOUT (TOP VIEW)

RoHS Compliant



煜倫股份有限公司

www.morethanall.com

DRAWING BY CY

CHECKED BY GENIUS

UNIT/mm

SCALE 1:1

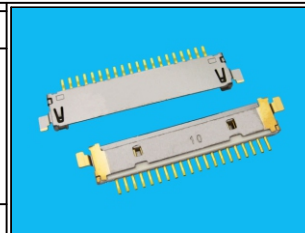
DATE

SIZE A4

TOLERANCES ARE

- X. ±
- .X ±
- .XX ±
- .XXX ±
- ANG ±

PJECTION



ORDER INFORMATION

DF19-WXF11-xx-LF  
 SERIES | | | LEADFREE  
 | | | 08-30WAY  
 | | | OFFSET 1.1mm  
 | | | NON POST  
 | | | 90°SMT

DESCRIPTION: