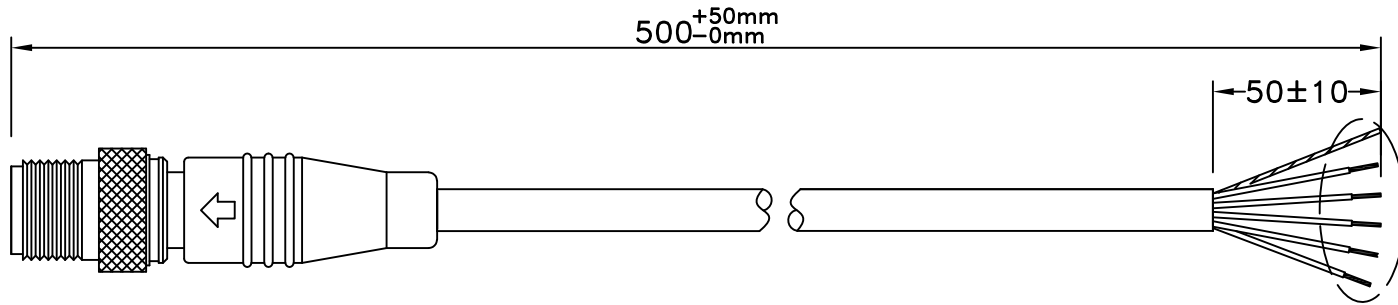
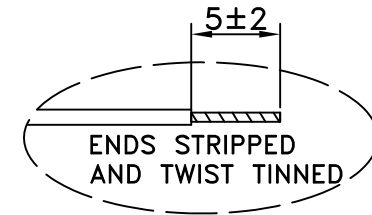


FRONT VIEW



M12-5PIN MALE
MOLDED GRAY



***CONSTRUCTION:

1.CABLE: * UL2464(5C/24#)+EA OD:5.2mm GRAY PVC JACKET.

***CONNECTORS:

2.M12-5PIN: * M12-5PIN MALE SOLDER TYPE.
 * PIN: BRASS WITH GOLD PLATED.
 * INSULATOR: BLACK NYLON 66 UL 94V-0 RATED.
 * SHELL: BRASS WITH NICKEL PLATED.
 * FERRULE: BRASS WITH NICKEL PLATED.
 * MOLDED: PVC 45P GRAY COLOR.

3.TEST: * CT: 2 Ohm. IS: 5M Ohm.
 * RATE CURRENT: 4A RATE VOLTAGE: MAX.60V

4.PACKING: * PACK EACH CABLE IN A POLY BAG.

5.MATERIAL: * MATERIAL WITH RoHS GRADE.

PIN OUT

M12-5M		
1	BROWN	NC
2	WHITE	NC
3	BLUE	NC
4	BLACK	NC
5	GRAY	NC
SHELL	DRAIN	NC

RoHS Compliant

TOLERANCES ARE

MORETHANALL
PCB CONNECTORS
Cable ASSEMBLIES
煜倫股份有限公司

DRAWING BY CY

CHECKED BY GENIUS

UNIT / mm SCALE 1 : 1

DATE

SIZE A4

X. ±
.X ±
.XX ±
.XXX ±
ANG ±

PJECTION



ORDER INFORMATION

M12X1-050024GE-M50C-LF
 SERIES | 05 WAY | 24 AWG | GRAY | MALE | 500mm | LEADFREE

DESCRIPTION: M12-5PIN MALE TO OPEN

www.morethanall.com