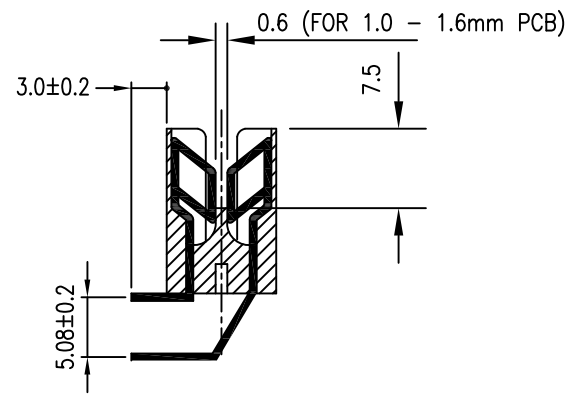


MATERIAL
 INSULATOR: GLASS-REINFORCED THERMOPLASTIC (PBT),
 UL94V-0 RATED.
 CONTACT: COPPER ALLOY
 PLATING: MATING AREA- OU GOLD OVER NICKEL.
 SOLDER AREA- TIN OVER NICKEL.

ELECTRICAL
 DIELECTRIC WITHSTANDING VOLTAGE: 1,000 VAC RMS.
 CURRENT RATING: 3 AMP.
 INSULATION RESISTANCE: 5,000 MEG. OHMS MIN. AT 500 VDC.
 CONTACT RESISTANCE: 20 MILLI OHMS MAX.

MECHANICAL
 INSERTION FORCE: 340 GRAMS MAX PER CONTACT PAIR.
 WITHDRAWAL FORCE: 28 GRAMS MIN PER CONTACT PAIR

ENVIRONMENTAL
 TEMPERATURE RANGE: -55° TO +105°.



RoHS Compliant

TOLERANCES ARE

X.±
 .X±
 .XX±
 .XXX±
 ANG±

DRAWING BY CY

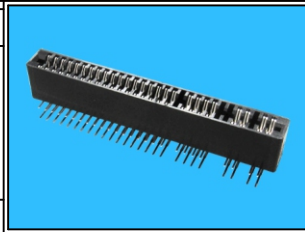
CHECKED BY GENIUS

UNIT / mm SCALE 1 : 1

DATE

SIZE A4

PJECTION



ORDER INFORMATION

GE-R-060E4P-LF
 SERIES | LEADFREE
 EMPTY 3.6.7.12.33..36.37.42 PIN
 60 WAY
 DIP 90°

DESCRIPTION: 60R(K19,24,25,28)

MORETHANALL
 PCB CONNECTORS
 Cable ASSEMBLIES

煜倫股份有限公司

www.morethanall.com