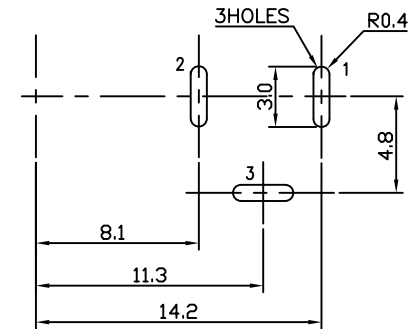
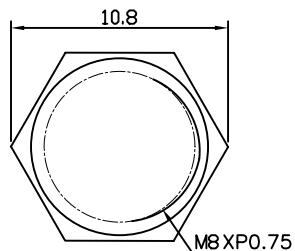


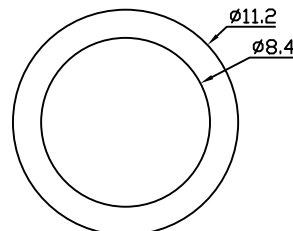
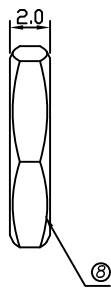
CAT NO.	PIN	SCHEMATIC
DCJ-RPBT5NW-25	Ø2.5	



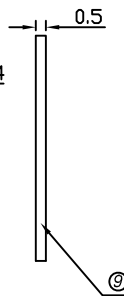
T:1.6 Dimensions of PC board holes
Tolerance : ±0.05(Printed-Top view)



Nut



Washer



9	WASHER	1	H59(COPPER ALLOY)	Ni PLATED
8	NUT	1	H59(COPPER ALLOY)	Ni PLATED
7	HOUSING	1	PBT 4815	UL-94V0(BLACK)
6	INSULATOR	1	PF	
5	AXIS SUPPORT	1	H59(COPPER ALLOY)	Ni PLATED
4	PIN	1	H59(COPPER ALLOY)	Ni PLATED
3	SHUNT TERMINAL	1	C2680	Sn PLATED
2	TIP SPRING	1	C5191	Sn PLATED
1	CENTER PIN TERMINAL	1	C2680	Sn PLATED
LTR	PART NAME	QTY	MATERIAL	REMARK

UNLESS OTHERWISE SPECIFIED, TOLERANCE ON DECIMAL: ±0.3

RoHS Compliant

TOLERANCES ARE

MORETHANALL
PCB CONNECTORS
Cable ASSEMBLIES

DRAWING BY CY

CHECKED BY GENIUS

UNIT / mm SCALE 1 : 1

DATE

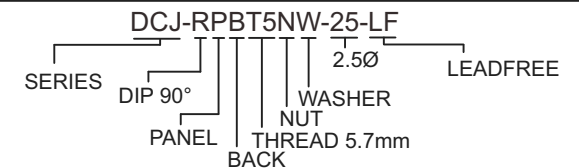
SIZE A4

P PROJECTION

X, ±
.X ±
.XX ±
.XXX ±
ANG ±



ORDER INFORMATION



煜倫股份有限公司

www.morethanall.com

DESCRIPTION: DC POWER JACK